

# Model:YS-ML

## AUTOAMTIC PASTA COOKER



CONFORMS TO UL STD.197.  
Certified to CSA Standard C22.2 No. 109.  
CONFORMS TO NSF/ANSI STD.4



### Product Features:

- It is integrally formed with a thickened 1.5mm 304 stainless steel panel, which is easy to clean, and its design and structural features meet NSF hygiene standards.
- Using the most advanced induction heating technology, the pot can be heated directly, quickly and evenly.
- We Use the most stable "infineon" IGBT heating module imported from Germany has a longer service life.
- The control system chip adopts Siemens industrial-grade 32-bit CPU full digital control technology imported from Germany. The movement adopts modular design, which is convenient for maintenance.
- Isolated induction heating, safe and reliable, saving more than 60% than gas.
- Waterproof 360°rotating 8-speed magnetic sensor switch, which can keep warm with low power, or quickly serve meals with high power.
- When cooking noodles, it has a blowing function to prevent noodles from forming into agglomerates.
- Automatic lifting with timer with each arm, help chef save much cooking time.

#### REMARK:

- Variety of pasta basket options - pasta baskets are sold separately
- Automatic arms can be adjusted with timer
- Power adjust from 0-5000W for separate heating
- Separate heating in two water tanks.

#### WARRANTY:

- Warranty time 1 year with spares
- Offer technical support and do not offer directly repair service.
- Spares shipping cost not free offer.

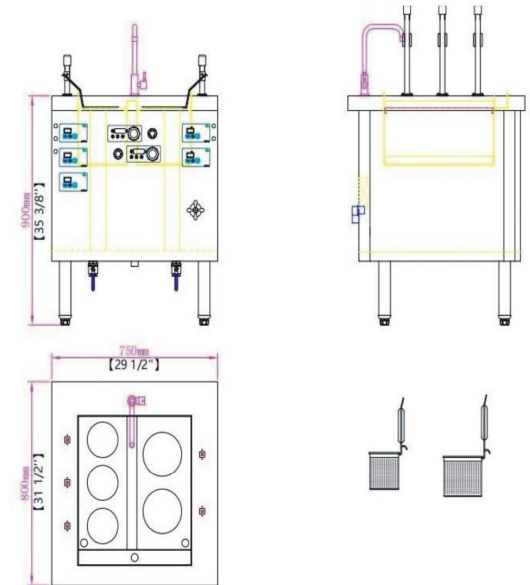
## SPECIFICATION:



CONFORMS TO UL STD.197.  
Certified to CSA Standard C22.2 No. 109.  
CONFORMS TO NSF/ANSI STD.4

NAME	AUTOMATIC PASTA COOKER
MODEL	YS-ML
HEATING METHOD	ELECTRIC HEATING
POWER	10KW
VOLTAGE	208V 3PHASE
FREQUENCY	50-60HZ
SIZE	29.53"×31.50"×35.43"
WATER INLET	DN15
MATERIAL	SUS304
N.W.	60KG
BASKET SIZE LEFT	DIA.5.08"×5.83" *3PCS
BASKET SIZE RIGHT	DIA.6.69"×6.30" *2PCS
WATER TABK LEFT	19.49"×8.66"×9.84"
WATER TABK RIGHT	19.49"×9.66"×9.84"

### PRODUCT CAD SIZE FILE AS BELOW:



#### REMARK:

- CAD design file can be send if request, for detail please contact us by email.
- Automatic arms can be adjusted in both side.
- Customization design can be done as customer request.

