

# Model:YS-P420

## ELECTRIC SOUP COOKER



CONFORMS TO UL STD.197.  
Certified to CSA Standard C22.2 No. 109.  
CONFORMS TO NSF/ANSI STD.4



### Product Features:

- It is integrally formed with a thickened 1.5mm 304 stainless steel panel, which is easy to clean, and its design and structural features meet NSF hygiene standards.
- Using the most advanced induction heating technology, the pot can be heated directly, quickly and evenly.
- We Use the most stable "infineon" IGBT heating module imported from Germany has a longer service life.
- The control system chip adopts Siemens industrial-grade 32-bit CPU full digital control technology imported from Germany. The movement adopts modular design, which is convenient for maintenance.
- Isolated induction heating, safe and reliable, saving more than 60% than gas.
- Waterproof 360° rotating 8-speed magnetic sensor switch, which can keep warm with low power, or quickly serve meals with high power.
- Power 12KW, fast to cooking soup and other materials.

#### REMARK:

- We must use magnetic pan or pot to cooking.
- The power switch can change power level from 0 to 8.
- Power adjust from 0-12000W for separate heating
- The ceramic glass is fragile.

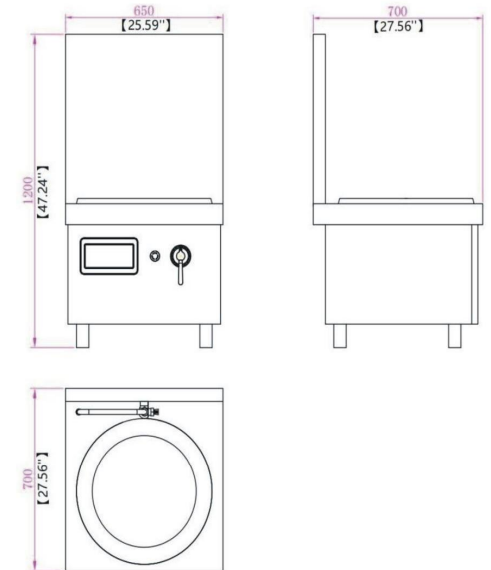
#### WARRANTY:

- Warranty time 1 year with spares
- Offer technical support and do not offer directly repair service.
- Spares shipping cost not free offer.

## SPECIFICATION:

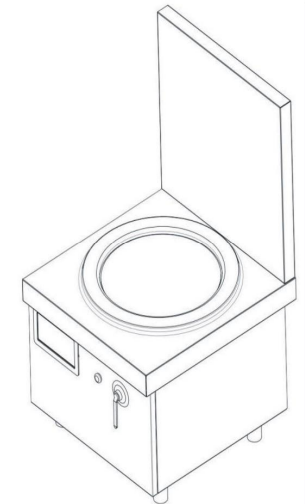
NAME	ELECTRIC SOUP COOKER
MODEL	YS-P420
HEATING METHOD	ELECTRIC HEATING
POWER	12KW
VOLTAGE	208V 3PHASE
FREQUENCY	50-60HZ
SIZE	25.59" × 27.56" × 47.24"
BURNERS	GLASS SIZE DIA.420MM
MATERIAL	SUS304
N.W.	60KG

### PRODUCT CAD SIZE FILE AS BELOW:



#### REMARK:

- CAD design file can be send if request, for detail please contact us by email.
- Customization design can be done as customer request.



CONFORMS TO UL STD.197.  
Certified to CSA Standard C22.2 No. 109.  
CONFORMS TO NSF/ANSI STD.4