

# Auto Gyoza Cooker "Gas Auto Gyoza Cooker" "Electric Auto Gyoza Cooker" Series

Press switch button for automatic feed water, steam, and grill! Very popular at delicatessen and for take away.

■ **Microcomputer is mounted to realize complete automation.**

With just pressing cooking start switch it runs complete automation of grill, feed water, steam, and finish grilling. Even non-regular workers can grill gyoza professionally on their first day.

■ **Thermistor sensor is provided to maintain accurate temperature of pan.**

Thermistor sensor to maintain accurate temperature of the whole pan always realizes beautifully and evenly browned gyoza.

■ **Automatic feeding water is stable due to flow rate sensor.**

Automatic feeding of the specified amount of water regardless of tap water pressure or pipe diameter can streamline steam process.

■ **Finishing buzzer is useful for power saving.**

Finishing buzzer announces when full automatic grilling is completed, which is useful for power saving of operations.

■ **Compact tabletop type to save space.**

■ **Free setting type to grill a variety of shaped gyoza deliciously.**

You can set grill time, amount of feed water, surface grill time freely according to your original gyoza.



● Easy one touch panel

■ **Removable lid type is also available.**

Lid is easily removable and easy-to-clean. You can keep equipments clean.



● **Please use the convenient dedicated stand.**



※ See back cover for information.

## Gas Auto Gyoza Cooker

■ **Infrared burner is adopted to cook quickly.**

Infrared burner can prevent uneven temperature of pan and grill beautifully. Moreover, it can be ready to grill quickly and work effectively at peak time. Energy saving structure cuts gas consumption.



● Infrared burner

■ **Automatic continuous spark ignition system. Safety shut-off device is attached.**

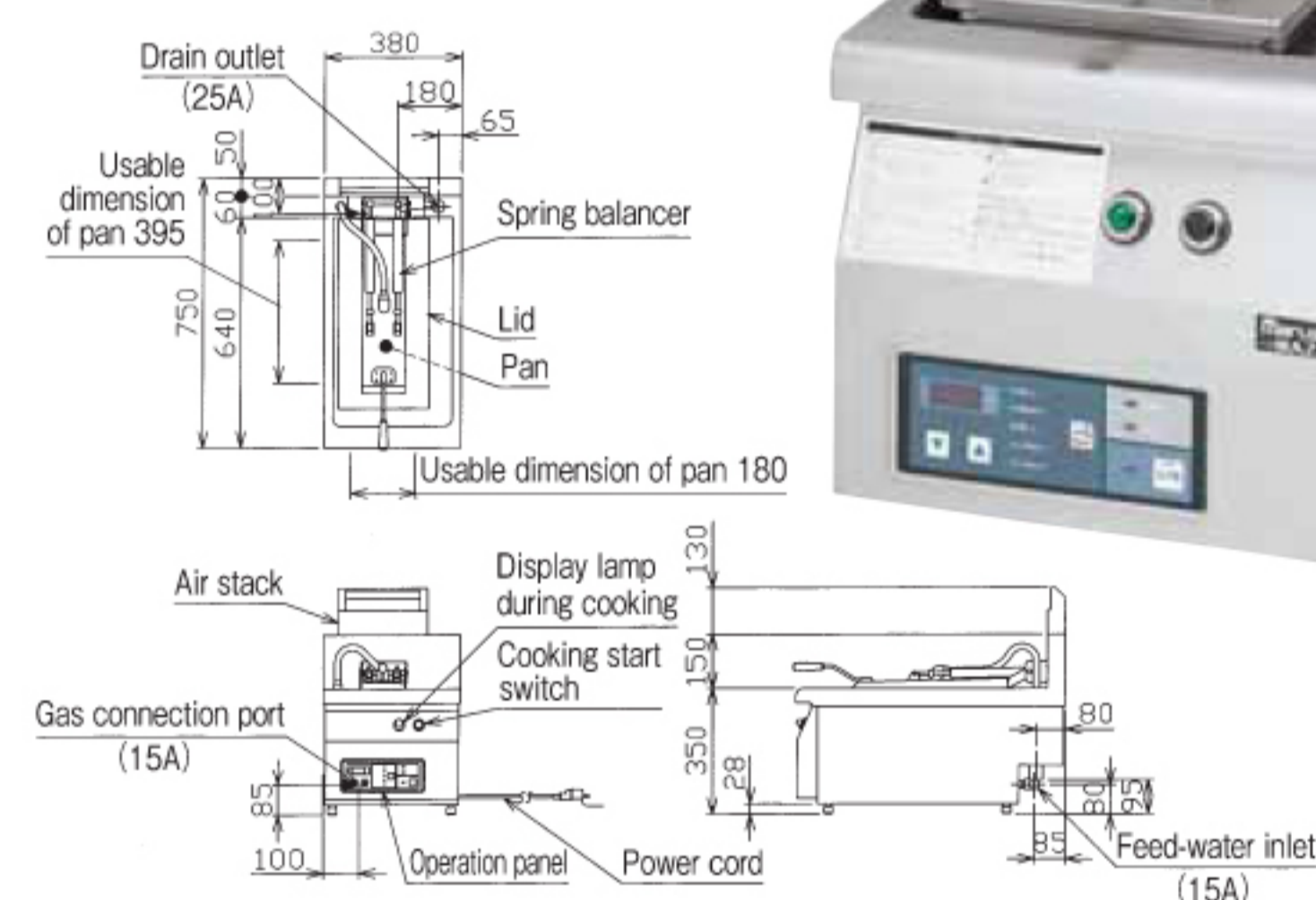


Products with this mark, has passed the type inspection of the Japan Gas Appliances Inspection Association. (LP gas, 13A)

### MAZ-4

- 24pieces/time
- 205-220pieces/hour

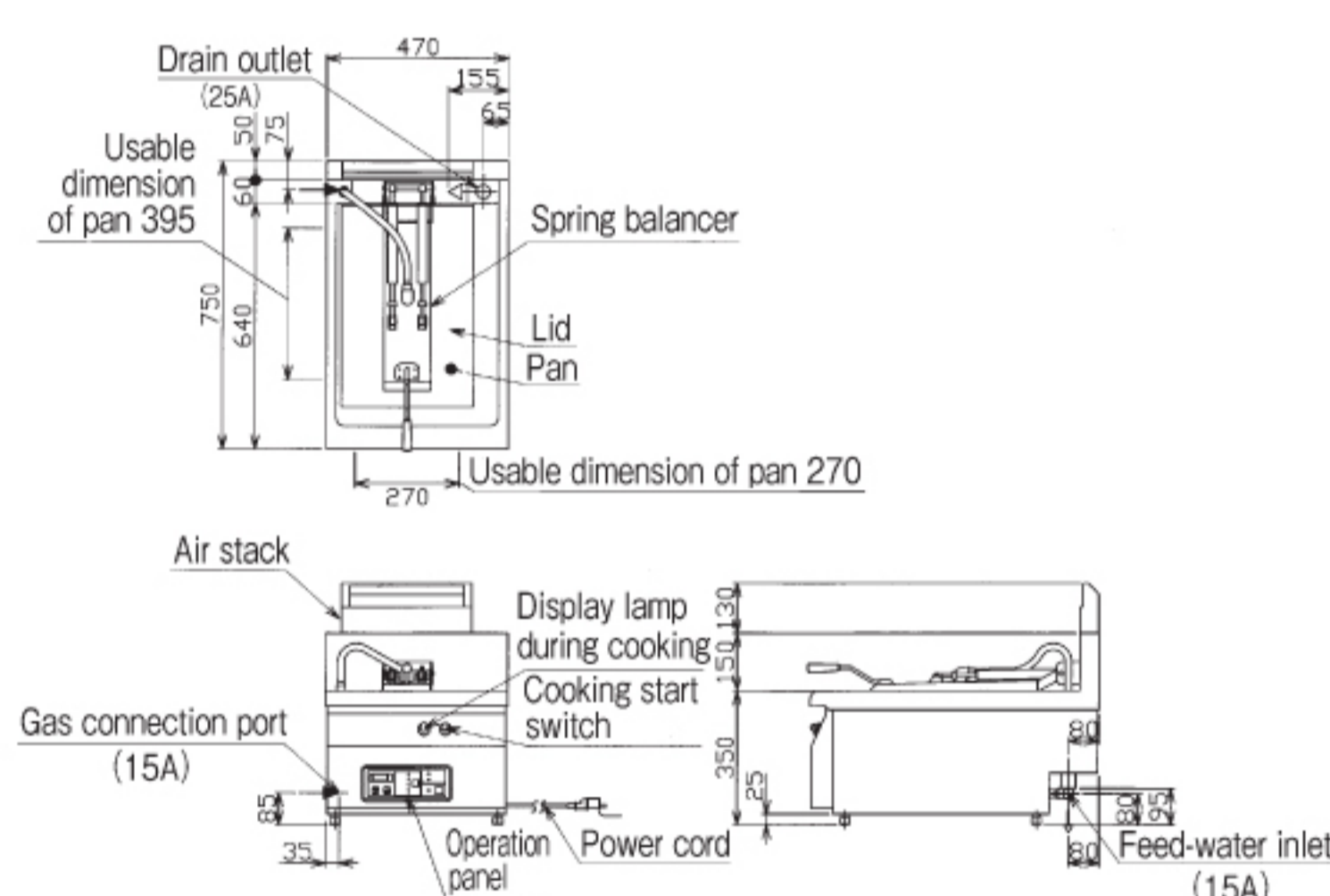
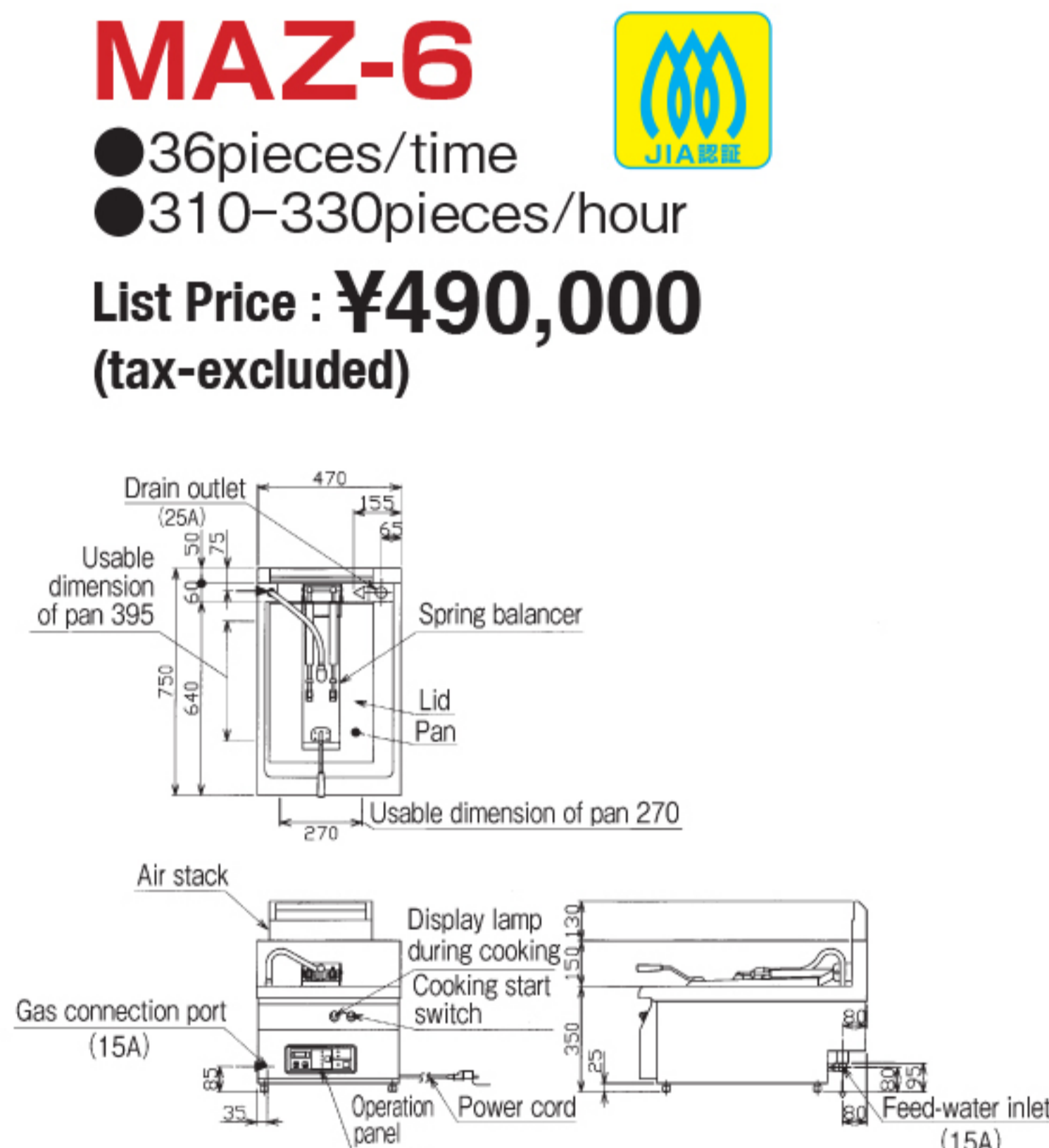
List Price : ¥460,000 (tax-excluded)



### MAZ-6

- 36pieces/time
- 310-330pieces/hour

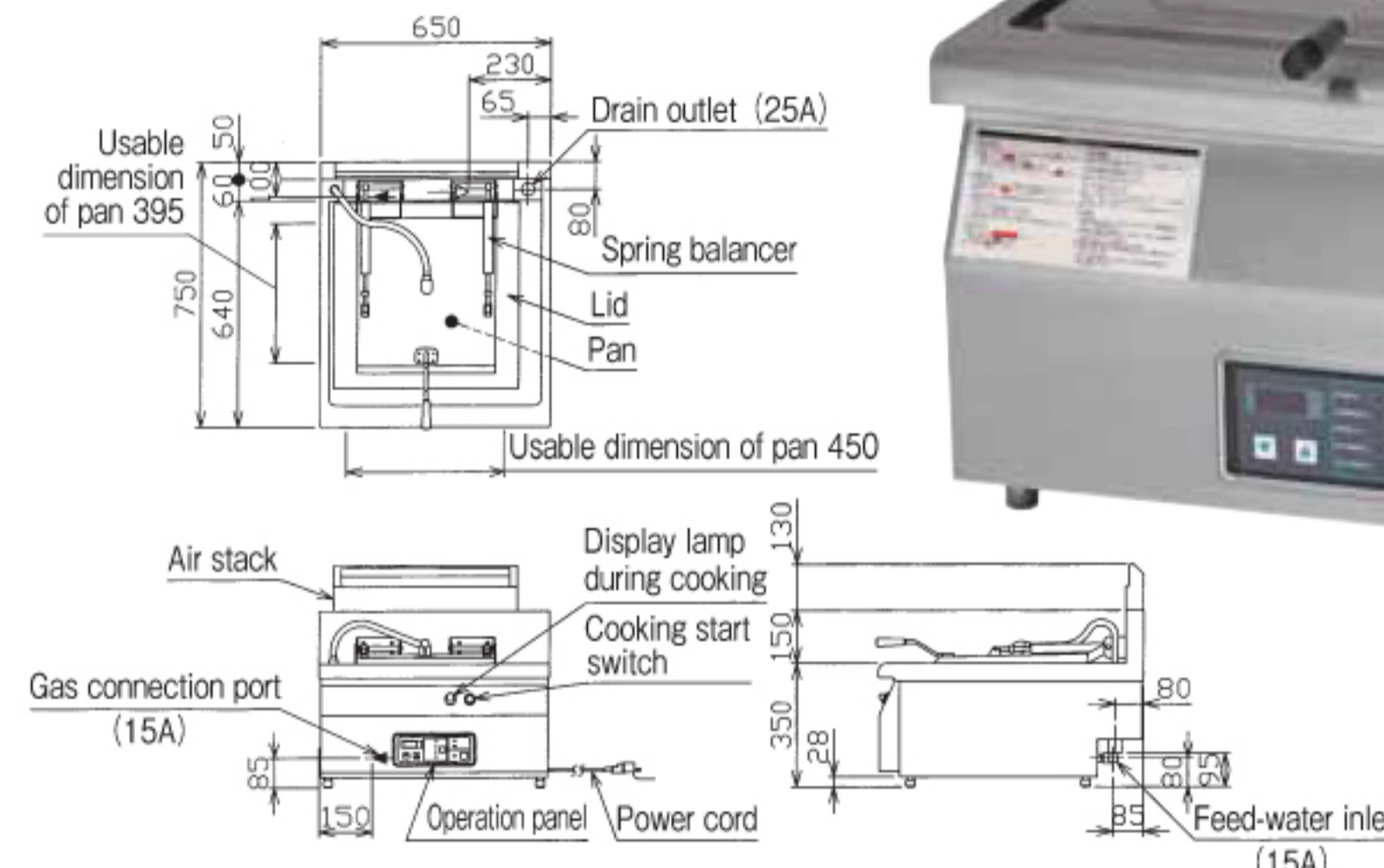
List Price : ¥490,000 (tax-excluded)



### MAZ-10

- 60pieces/time
- 510-550pieces/hour

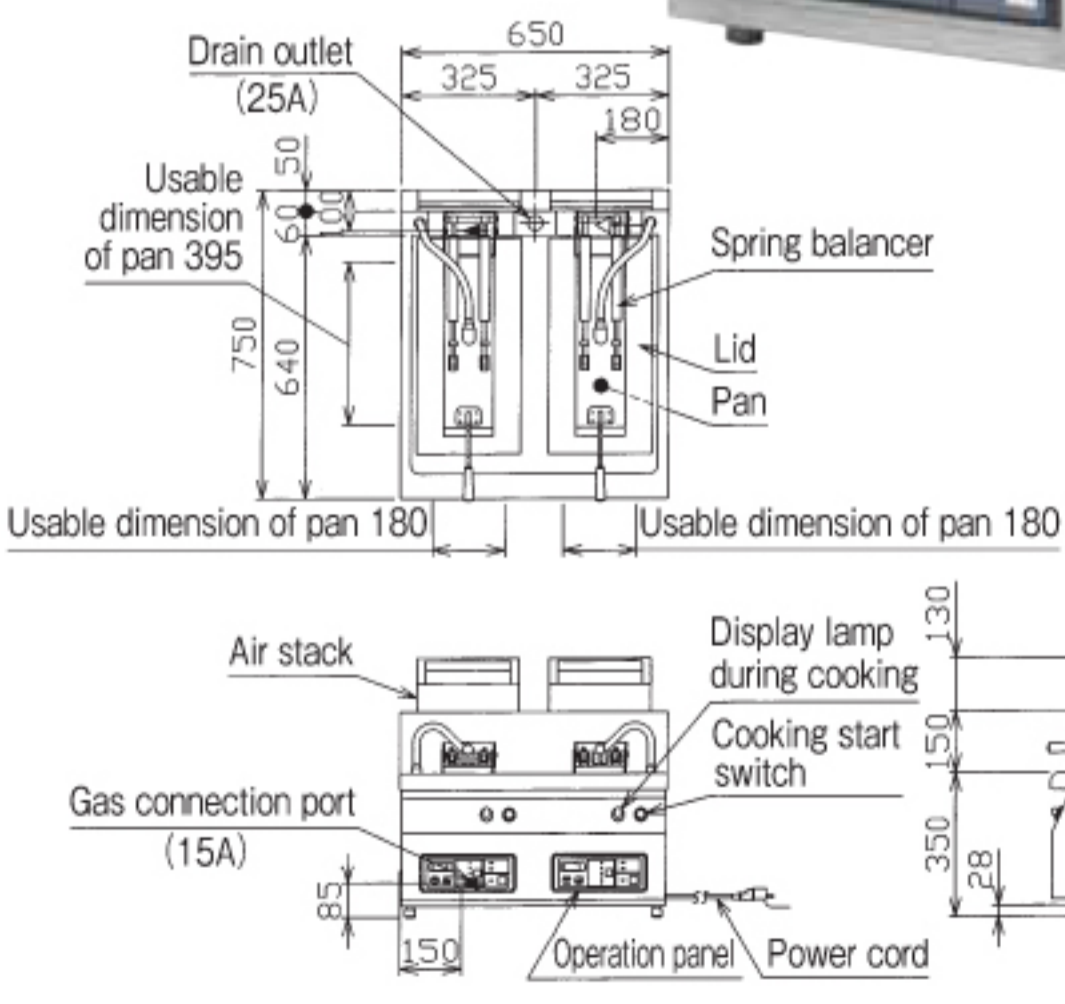
List Price : ¥560,000 (tax-excluded)



### MAZ-44

- 24+24pieces/time
- 410-440pieces/hour

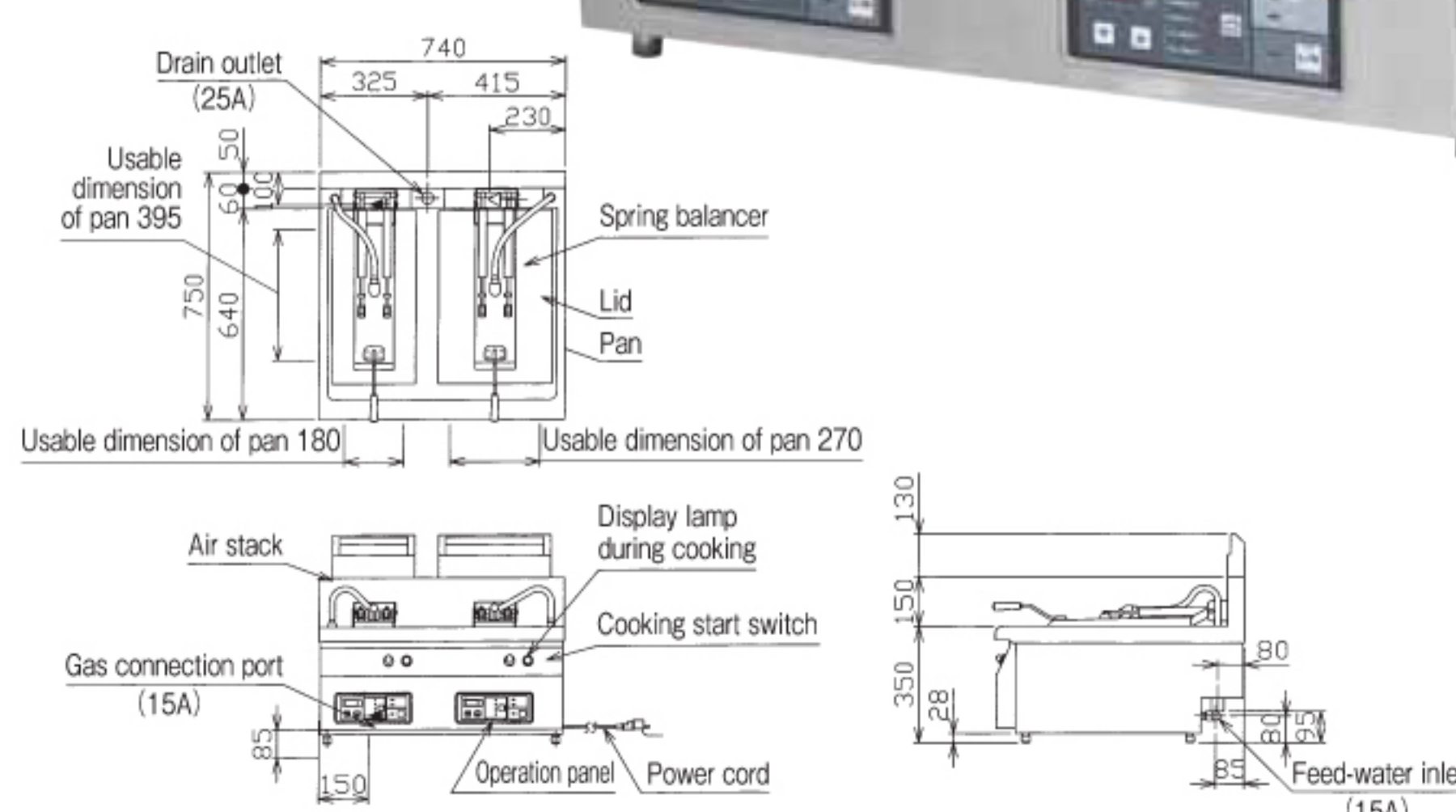
List Price : ¥700,000 (tax-excluded)



### MAZ-46

- 24+36pieces/time
- 510-550pieces/hour

List Price : ¥810,000 (tax-excluded)



Easy to clean!

● **Removable lid type.**



MAZ-4S

MAZ-4S

List Price : ¥460,000 (tax-excluded)

MAZ-6S

List Price : ¥490,000 (tax-excluded)

MAZ-10S

List Price : ¥560,000 (tax-excluded)

MAZ-44S

List Price : ¥700,000 (tax-excluded)

MAZ-46S

List Price : ¥810,000 (tax-excluded)

■ **Gas Auto Gyoza Cooker Specifications Table**

Model	External dimension (mm)		Pan dimension (mm)				Number of pans	Gas consumption		Gas connection (Union)	Feed-water inlet	Power (50/60Hz)	Power consumption (50/60Hz)	Power cord	Pilot safety device	Drain outlet		Weight (kg)	
	Fixed lid	Removable lid	Width	Depth	Height	Height back		Width	Depth							Width	Depth	Fixed lid	Removable lid
MAZ-4	MAZ-4S	380	750	350	150	180	395	—	—	1	5.12kW( 4,400kcal/h)	5.12kW(0.37kg/h)	15A	15A	1φ100V	16W	25A	55.0	54.0
MAZ-6	MAZ-6S	470	750	350	150	270	395	—	—	1	7.67kW( 6,600kcal/h)	7.67kW(0.55kg/h)	15A	15A	1φ100V	16W	25A	63.0	62.0
MAZ-10	MAZ-10S	650	750	350	150	450	395	—	—	1	12.8kW(11,000kcal/h)	12.8kW(0.92kg/h)	15A	15A	1φ100V	16W	25A	88.0	87.0
MAZ-44	MAZ-44S	650	750	350	150	180	395	180	395	2	10.2kW( 8,800kcal/h)	10.2kW(0.73kg/h)	15A	15A	1φ100V	32W	25A	88.0	86.0
MAZ-46	MAZ-46S	740	750	350	150	180	395	270	395	2	12.8kW(11,000kcal/h)	12.8kW(0.92kg/h)	15A	15A	1φ100V	32W	25A	96.0	94.0

■ Accessory/Decompression check valve

● Grill ability is calculated based on the assumption of 3 minutes and 30 seconds to five minutes for grill per one time.