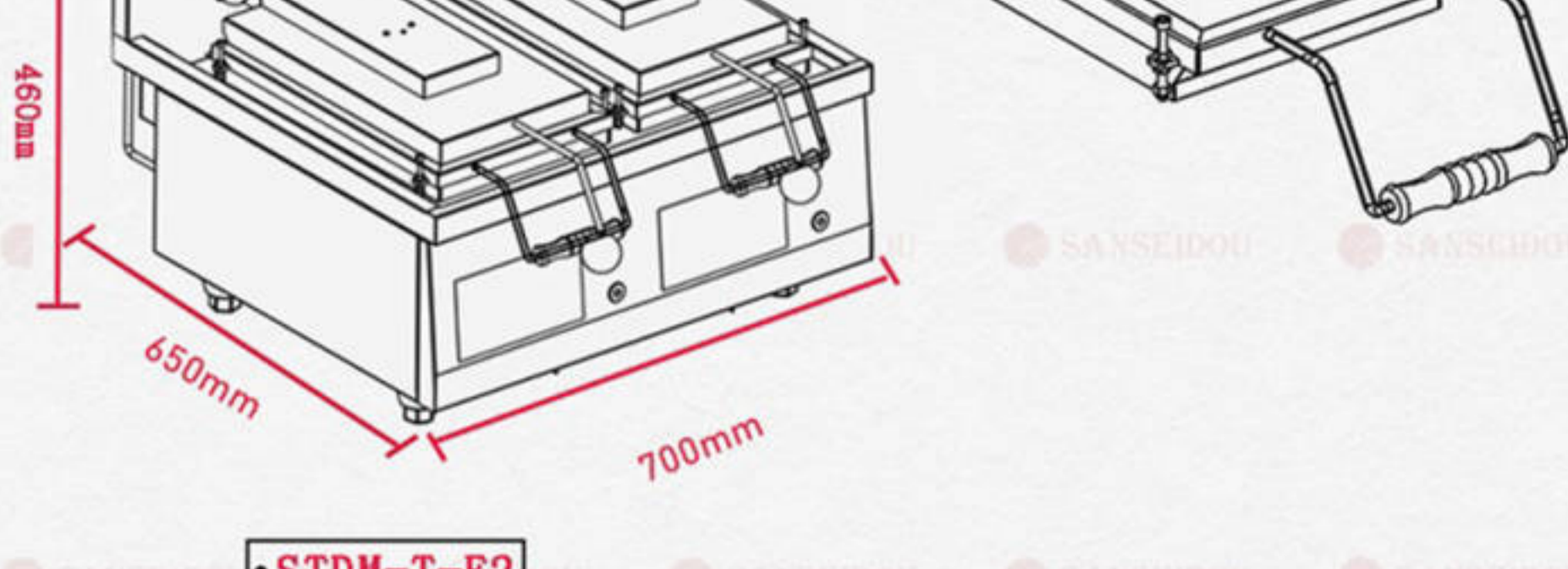




### STDM-T-E2

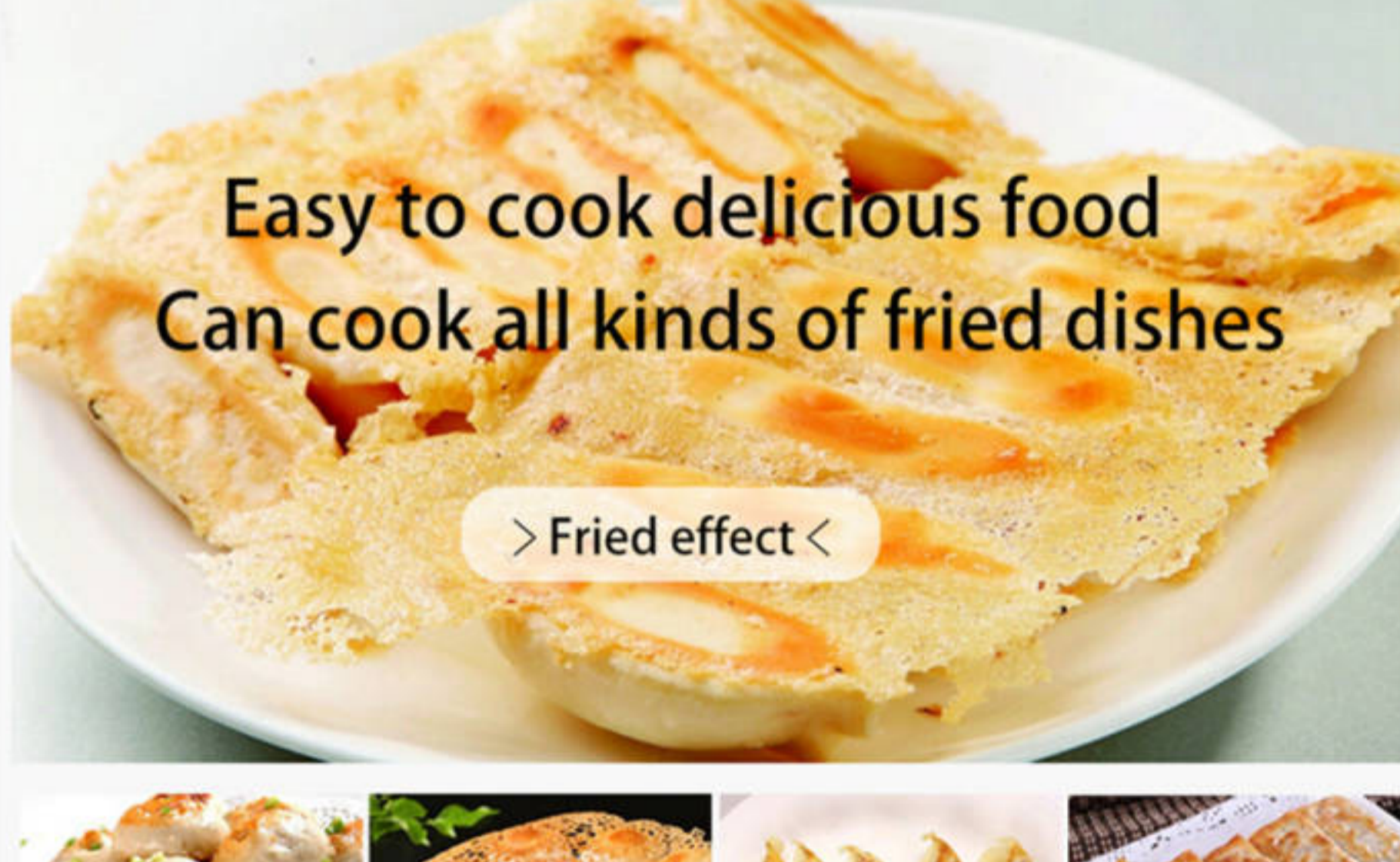
## Electric Automatic Gyoza Cooker



#### •STDM-T-E2

Model number	Voltage	Maximum heating temperature	Power
STDM-T-E1	1N100V-127V	300°C	1.5KW×1
	1N200V-240V	300°C	3.3KW×1
STDM-T-E2	1N100V-127V	300°C	1.5KW×2
	1N200V-240V	300°C	3.3KW×2

3N 200V-415V Voltage can be customized. If necessary, please contact us at any time.



## Product Introduction

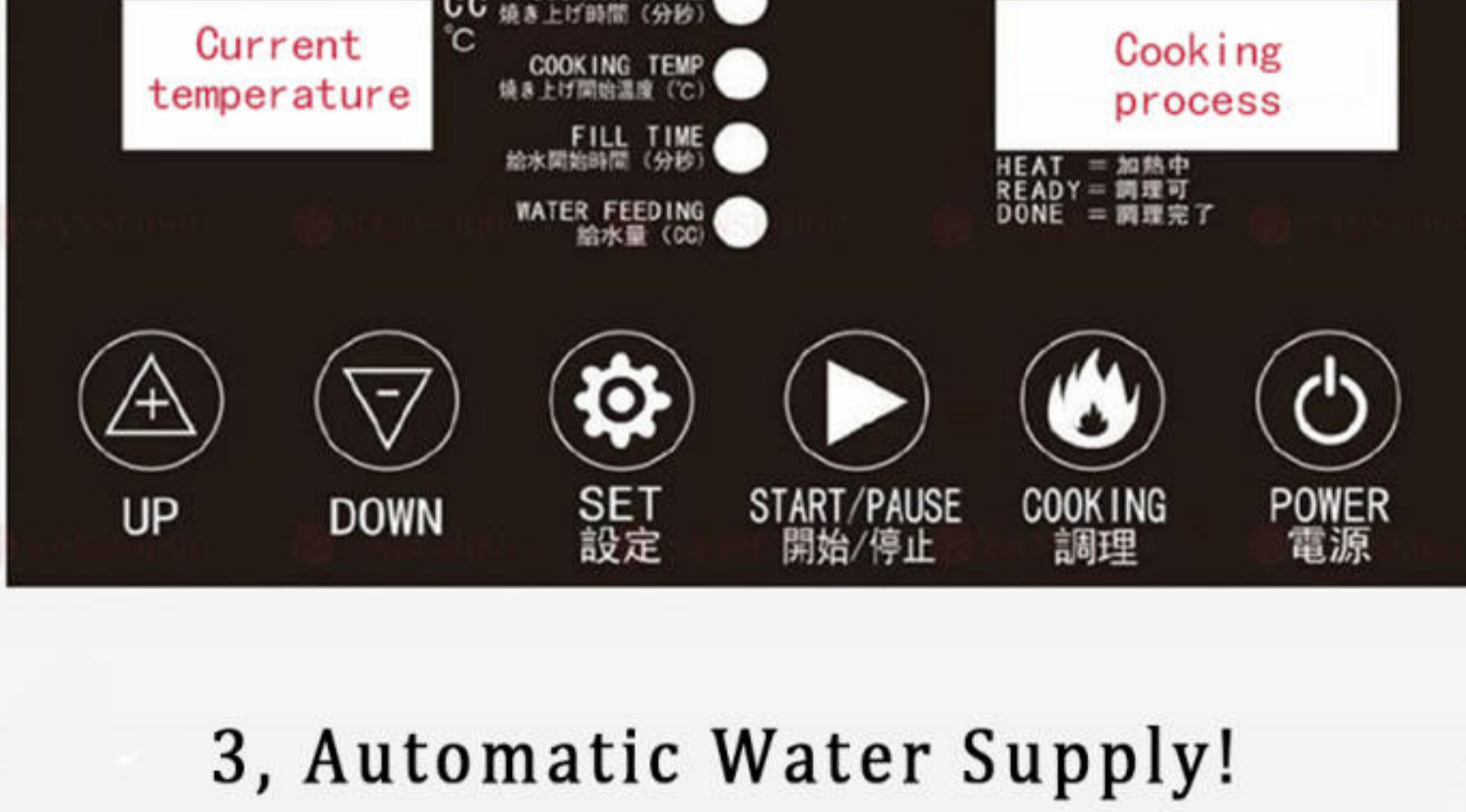
### 1, Clad Steel Pan & Equilibrium Heating Structure

The frying pan is made of thick clad steel (double structure with stainless steel and iron). The surface of the bottom plate has been carefully and finely polished, which can ensure that the fried gyoza are intact and no stick. More importantly, we strive to achieve uniform temperature in all heating zones.



### 2, Precise & Rigorous Automatic Program Control System

After spraying water, it starts to calculate heating time when the preset temperature is reached to ensure each gyoza has stable taste. Most of products that made in China do not have this function, only calculate whole heating time from beginning to the end, ignore the water pressure and other unstable situation. To turn the fuzzy control into precise control, really achieve standardization and save labor cost for you.



### 3, Automatic Water Supply! Cooling Water Drop Prevention Function

The water is sprayed from five directions equally from nozzle with five holes. It can prevent cooling from dropping from nozzle. While Gyoza is being fried, there is much cooling water generated in nozzle and water supply pipe after steam enters them. If cooling water drops, it will make fried Gyoza turn soft.



### 4, Lift-up Type Pan, Rear Drainage, Trash Basket Good for Cleaning

Lift-up type pan and rear drainage design can help you clean the pan and remove cook residue easily. It also can ensure each gyoza not be stuck to by small residue burnt, when the pan is risen and made tilt, cook residue and water used will be flowed into rear drainage, cook residue will be left in the trash basket to be taken out at any time. And water used will flow into sewer pipe. Other maker's products on the market do not have this function, have to be cleaned by wiping pan surface with wet rag.

