

## Fire Screen Burner realizes an outstanding heating power and energy-saving.

Fire Screen Burner which has an established reputation of high heating power and energy saving is equipped. We have a wide variety of products from 1 burner type to 4 burners type, and the combination of Frying, Gyoza, Soup, Fried Noodle, and Noodle Boiling.



### Concentrated combustion method uses the flame power without waste.

Flame port equipped inward, which makes the flame concentrated on the center and heat from the bottom of pot. This is Maruzen's original "Concentrated Combustion Method Fire Screen Burner". The flame is used without waste, reducing energy-loss, realizing an outstanding heating power. Moreover, the flame ports are horizontal so as to reduce clogging from garbage or boiling-over and obtain always stable combustion.

#### ■Combination of stove type and burner

For frying: Inward Fire Screen Burner

● 17.4kW (15,000kcal/h)

For Fried Noodle: Inward Fire Screen Burner

● 25.6kW (22,000kcal/h)

For Noodle Boiling: High Power Burner

● 26.7kW (23,000kcal/h)

For Gyoza: Fire Screen Burner

● 11.6kW (10,000kcal/h)

For Soup: Fire Screen Burner

● 11.6kW (10,000kcal/h)



### Frying stove which is easy to shake pan

The stove frame is specially shaped from SUS 304 stainless steel. The shape facilitates pan-shaking. Ceramic fiber is used for the inner of the stove frame, improving the insulation effect.



### Fried Noodle Stove which is prominent boiling power

The stove frame is specially shaped from SUS 304 stainless steel. Inward Fire Screen Burner is adapted. The flame is like crawling on the bottom of pot, which realizes excellent efficiency of noodle boiling. Ceramic fiber is used for the inner of the stove frame, improving the insulation effect.



### Gyoza stove to grill evenly

The stove frame which is specially shaped from SUS 304 stainless steel has many exhaust holes, therefore the flame rounds evenly. Besides, screws at 3 points realize horizontal adjustment of pot which can cook Gyoza evenly. The burner is a Fire Screen Burner designed for gyoza.



### Handy Soup Stove

It is a pit type to facilitate putting in and out a stockpot. The burner is a Fire Screen Burner which has an established reputation for the powerful heating and energy saving.

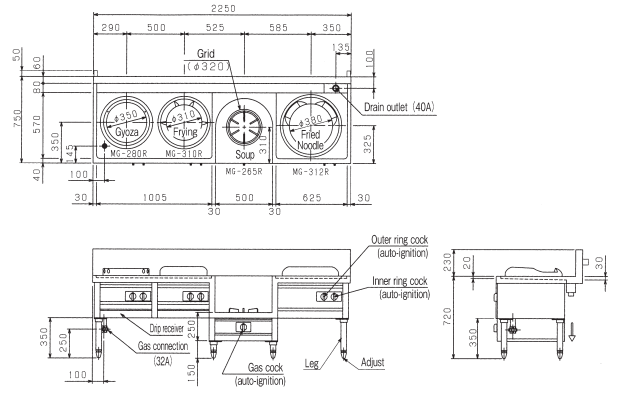


### Noodle Boiler is instantaneous hot water supply method which utilizes remaining heat

The hot water tank is circulation type which utilizes remaining heat from the stove. That realizes abundant and continuous using of hot water which temperature is relatively stable and circulates around the stove. The installation is simple, just connecting to water tap. (MR-564B, 563B, 562B)

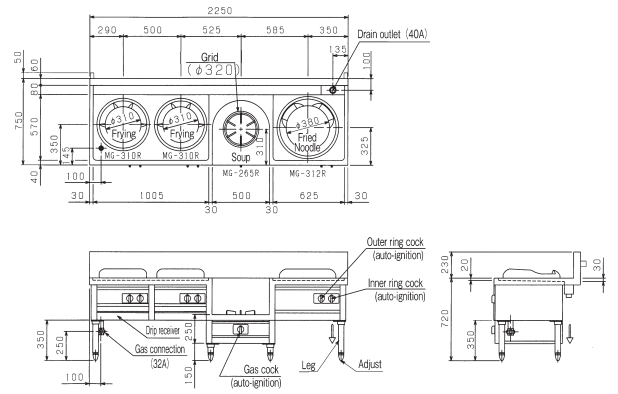
**MR-504** Gyoza + Frying + Soup + Fried Noodle

List price **¥573,000**  
(tax-excluded)



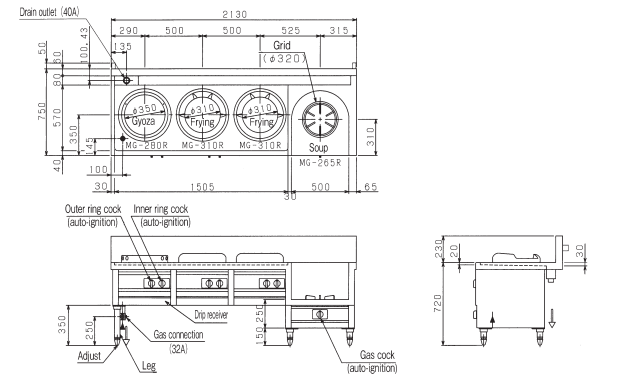
**MR-504D** Frying x2 + Soup + Fried Noodle

List price **¥573,000**  
(tax-excluded)



**MR-514** Gyoza + Frying x2 + Soup

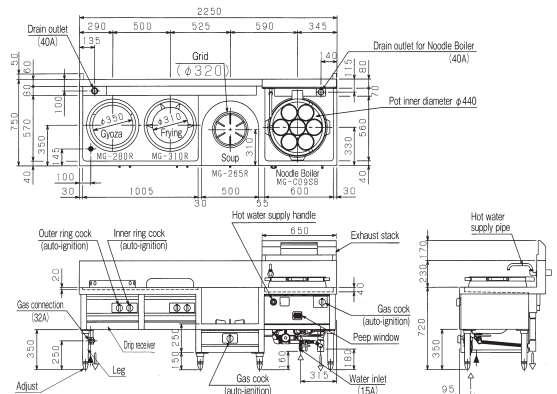
List price **¥573,000**  
(tax-excluded)



**MR-564B** Gyoza + Frying + Soup + Noodle Boiling

List price **¥728,000**  
(tax-excluded)

Noodle Boiler uses instantaneous hot water supply method

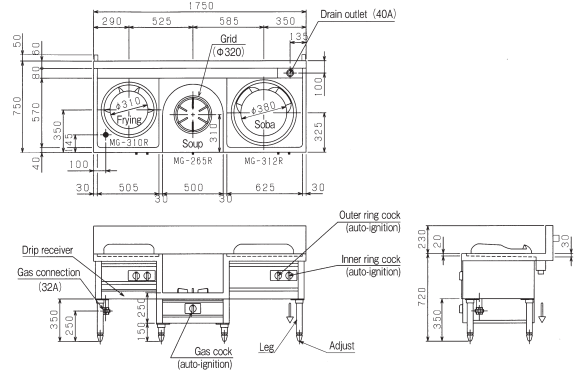


# Inner Piping Deluxe Chinese Range MR Series

Auto-ignition

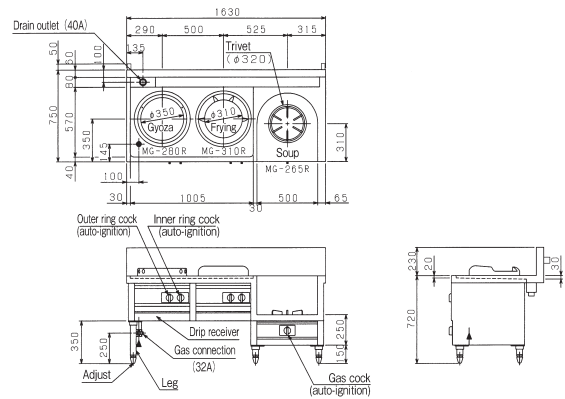
## MR-503 Frying + Soup + Fried Noodle

List price **¥470,000**  
(tax-excluded)



## MR-513 Gyoza + Frying + Soup

List price **¥470,000**  
(tax-excluded)

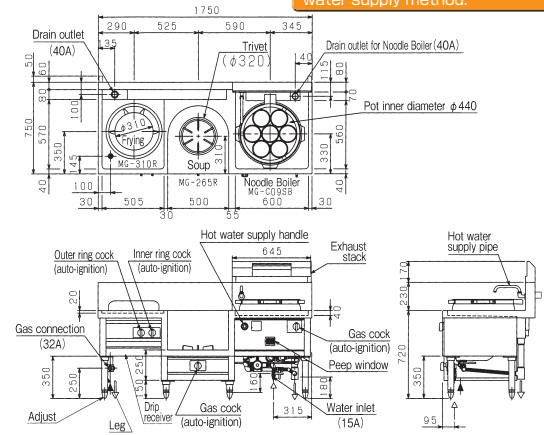


## MR-563B Frying + Soup + Noodle Boiling

List price **¥632,000**  
(tax-excluded)

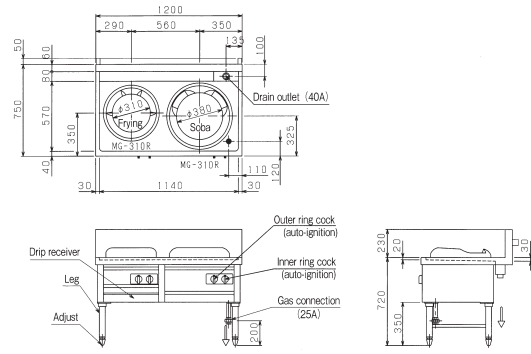


Noodle Boiler uses instantaneous water supply method.



**MR-502** Frying + Fried Noodle

List price **¥381,000**  
(tax-excluded)

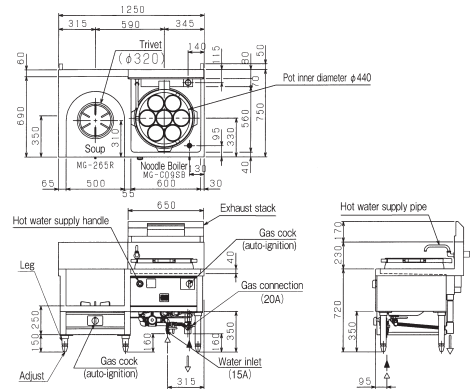


**MR-562B** Soup + Noodle Boiler

List price **¥502,000**  
(tax-excluded)

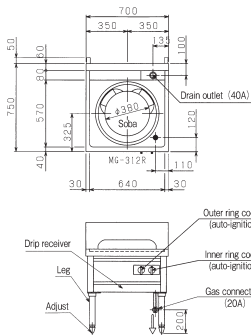


Noodle Boiler uses instantaneous water supply method.



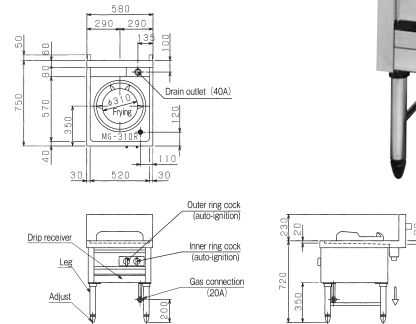
**MR-501** Fried Noodle

List price **¥239,000**  
(tax-excluded)



**MR-511** Frying

List price **¥239,000**  
(tax-excluded)



**MR Series Specifications Table**

Product Name	Model	External dimensions (mm)				Stove arrangement	Gas consumption		Gas connection	Water inlet	Drain outlet	Weight (kg)
		Width	Depth	Height	Back		Town gas	LP gas				
4-burner range	MR-504	2,250	750	720	230	Gyoza, Frying, Soup, Fried Noodle	66.3kW (57,000kcal/h)	66.3kW (4.75kg/h)	32A	—	40A	194
	MR-504D	2,250	750	720	230	Frying, Frying, Soup, Fried Noodle	72.1kW (62,000kcal/h)	72.1kW (5.17kg/h)	32A	—	40A	196
	MR-514	2,130	750	720	230	Gyoza, Frying, Frying, Soup	58.1kW (50,000kcal/h)	58.1kW (4.17kg/h)	32A	—	40A	185
	MR-564B	2,250	750	720	230	Gyoza, Frying, Soup, Noodle Boiling	68.0kW (58,500kcal/h)	65.1kW (4.67kg/h)	32A	15A	40A×2	217
3-burner range	MR-503	1,750	750	720	230	Frying, Soup, Fried Noodle	54.7kW (47,000kcal/h)	54.7kW (3.92kg/h)	32A	—	40A	173
	MR-513	1,630	750	720	230	Gyoza, Frying, Soup	40.7kW (35,000kcal/h)	40.7kW (2.92kg/h)	32A	—	40A	159
	MR-563B	1,750	750	720	230	Frying, Soup, Noodle Boiling	56.4kW (48,500kcal/h)	53.5kW (3.83kg/h)	32A	15A	40A×2	191
2-burner range	MR-502	1,200	750	720	230	Frying, Fried Noodle	43.0kW (37,000kcal/h)	43.0kW (3.08kg/h)	25A	—	40A	112
	MR-562B	1,250	750	720	230	Soup, Noodle Boiling	39.0kW (33,500kcal/h)	36.0kW (2.58kg/h)	20A	15A	40A	136
1-burner range	MR-501	700	750	720	230	Fried Noodle	25.6kW (22,000kcal/h)	25.6kW (1.83kg/h)	20A	—	40A	79
	MR-511	580	750	720	230	Frying	17.4kW (15,000kcal/h)	17.4kW (1.25kg/h)	20A	—	40A	63

◆Noodle-boiler adapts instantaneous hot-water supply method. Pot and baskets included. ◆Delivery date is about 10 days after receipt of order.