

RGR-0963C

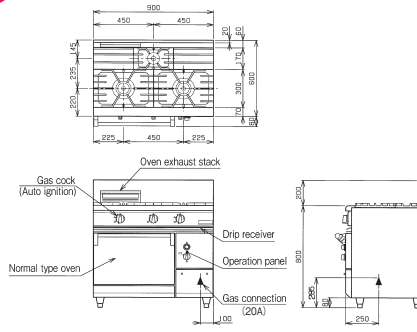
List Price : ¥283,000
(tax-excluded)

φ165 burner×2
φ95 burner×1

Oven
Normal type



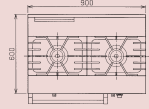
Model Change



RGR-0962C

List Price : ¥269,000
(tax-excluded)

φ165 burner×2



RGR-1264C

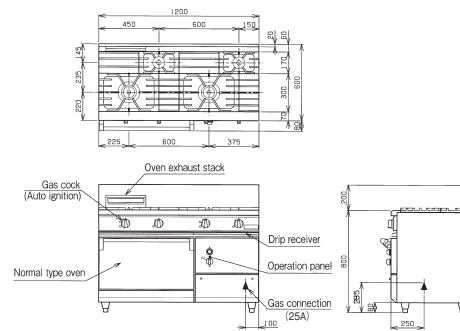
List Price : ¥320,000
(tax-excluded)

φ165 burner×2
φ95 burner×2

Oven
Normal type



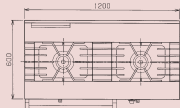
Model Change



RGR-1262C☆

List Price : ¥314,000
(tax-excluded)

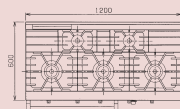
φ165 burner×2



RGR-1265C

List Price : ¥388,000
(tax-excluded)

φ165 burner×3 φ95 burner×2



Depth
600
mm

RGR-1565C

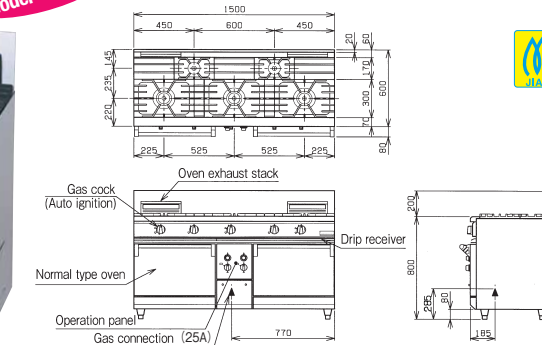
List Price : ¥515,000
(tax-excluded)

φ165 burner×3
φ95 burner×2

Oven
Normal type Normal type



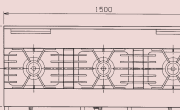
Model Change



RGR-1563C☆

List Price : ¥508,000
(tax-excluded)

φ165 burner×3



RGR-0973C

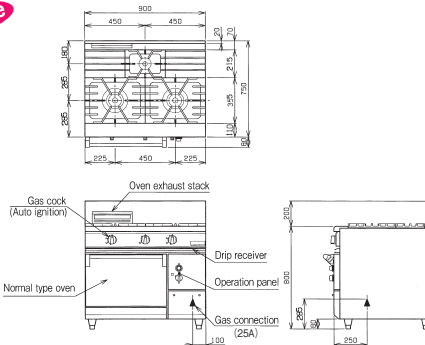
List Price : ¥350,000
(tax-excluded)

φ190 burner×2
φ95 burner×1

Oven
Normal type



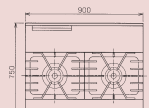
Model Change



RGR-0972C☆

List Price : ¥340,000
(tax-excluded)

φ190 burner×2



Depth
750
mm

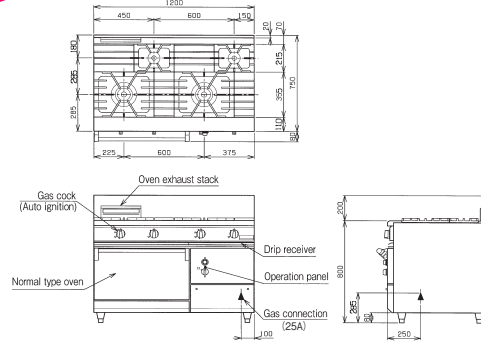
RGR-1274C

List Price : ¥389,000
(tax-excluded)

φ190 burner×2
φ95 burner×2

Oven
Normal type

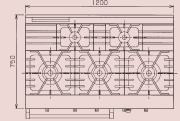
Model Change



RGR-1275C

List Price : ¥418,000
(tax-excluded)

φ190 burner×3 φ95 burner×2



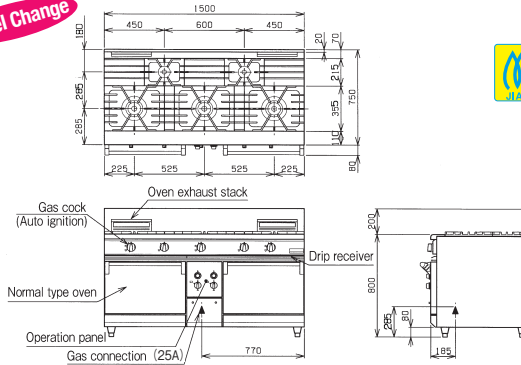
RGR-1575C

List Price : ¥580,000
(tax-excluded)

φ190 burner×3
φ95 burner×2

Oven
Normal type Normal type

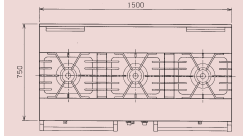
Model Change



RGR-1573C☆

List Price : ¥570,000
(tax-excluded)

φ190 burner×3



Depth
750
mm

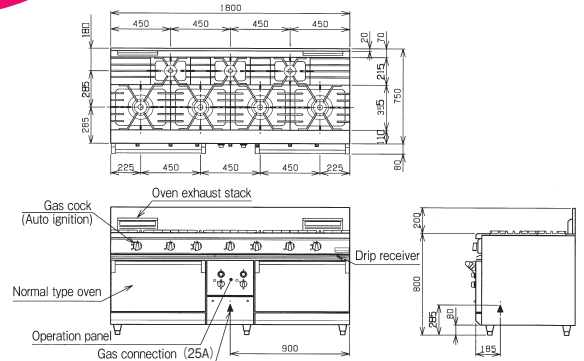
RGR-187C

List Price : ¥720,000
(tax-excluded)

φ190 burner×4
φ95 burner×3

Oven
Normal type Normal type

Model Change



RGR-1812C☆

List Price : ¥1,140,000
(tax-excluded)

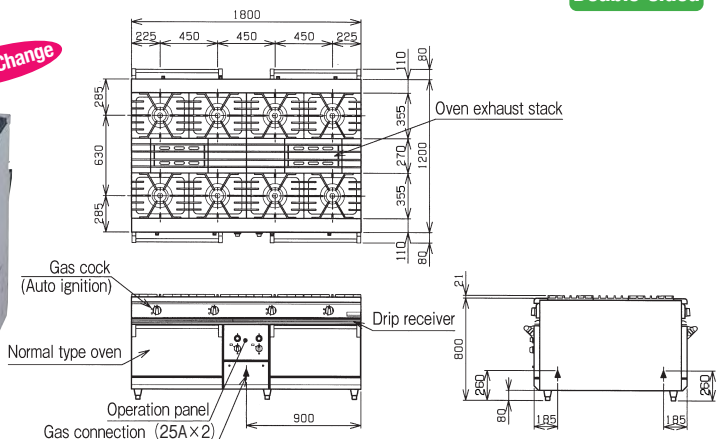
φ190 burner×8

Oven
Normal type Normal type

Model Change

Double-sided

Depth
1200
mm



■Delivery date for the models with ☆mark is about 2 weeks after receipt of order.

A combination of gas range & convection oven improves work efficiency drastically!

■ Hot air circulation system enables quick serving and large volume cooking.

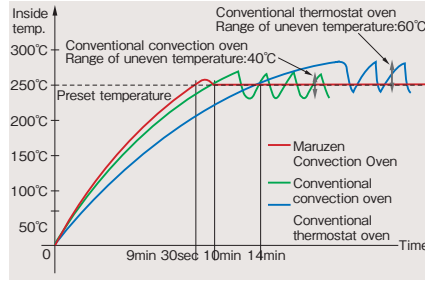
By circulating hot air rapidly inside the oven, the inside temperature quickly rises up to the preset temperature and raises the surface temperature of ingredients instantly, shortening cooking time drastically.

■ Useful cooling function to cool down the temperature inside the oven.

● Hot air circulation system



● Oven performance curve



● Control panel



● Inside of oven fully made of stainless steel and durable.



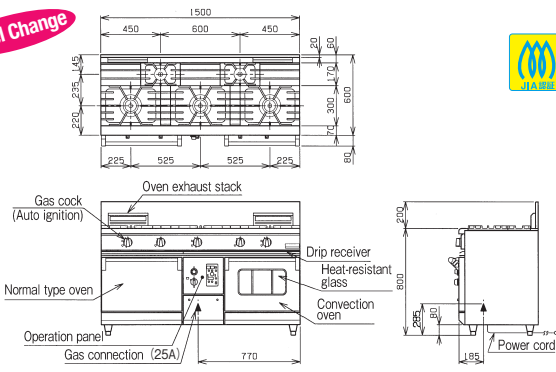
RGR-1565XC
List Price : ¥640,000 (tax-excluded)

● φ165 burner×3
● φ95 burner×2

Oven
Normal type Convection

Model Change

Depth 600 mm



RGR-1563XC☆
List Price : ¥624,000 (tax-excluded)

● φ165 burner×3

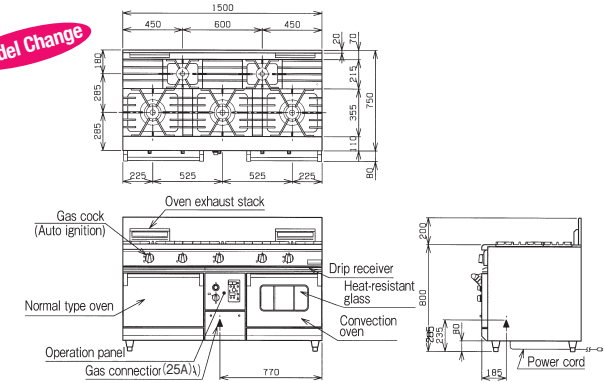
RGR-1575XC
List Price : ¥692,000 (tax-excluded)

● φ190 burner×3
● φ95 burner×2

Oven
Normal type Convection

Model Change

Depth 750 mm



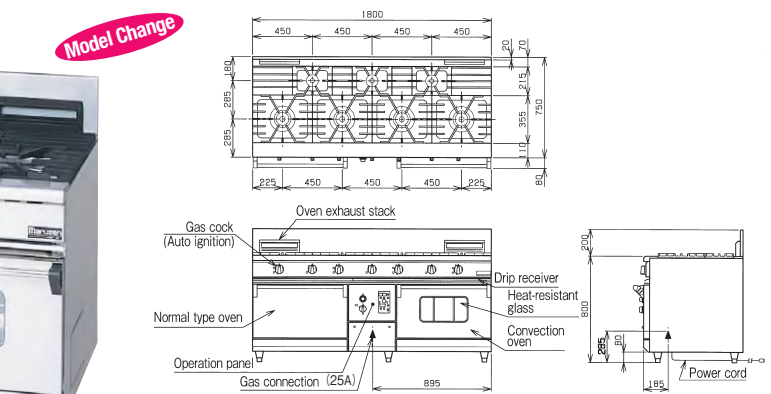
RGR-187XC
List Price : ¥839,000 (tax-excluded)

● φ190 burner×4
● φ95 burner×3

Oven
Normal type Convection

Model Change

Depth 750 mm



● NEW Power Cook Gas Range series also has "No back guard" type. Please specify when placing order. (The price is the same.)

■ Delivery date for the models with ☆mark is about 2 weeks after receipt of order.

RGR-0963XC

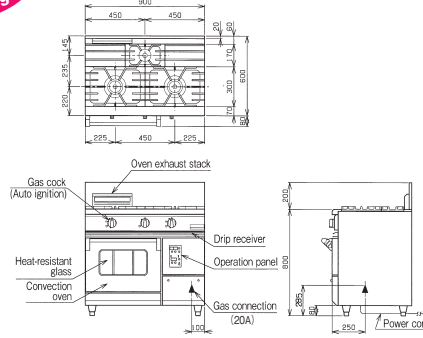
List Price : ¥383,000
(tax-excluded)

φ165 burner×2
φ95 burner×1

Oven
Convection



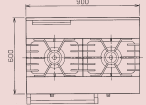
Model Change



RGR-0962XC☆

List Price : ¥373,000
(tax-excluded)

φ165 burner×2



RGR-1264XC

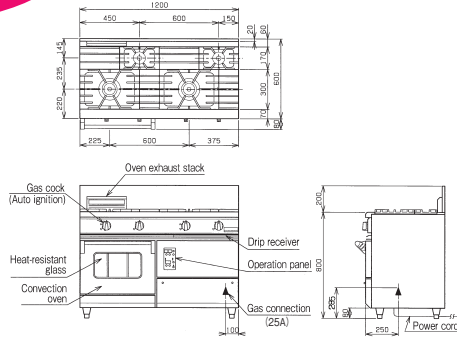
List Price : ¥447,000
(tax-excluded)

φ165 burner×2
φ95 burner×2

Oven
Convection



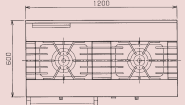
Model Change



RGR-1262XC☆

List Price : ¥432,000
(tax-excluded)

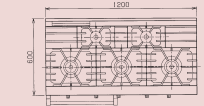
φ165 burner×2



RGR-1265XC

List Price : ¥479,000
(tax-excluded)

φ165 burner×3 φ95 burner×2



RGR-1565WXC

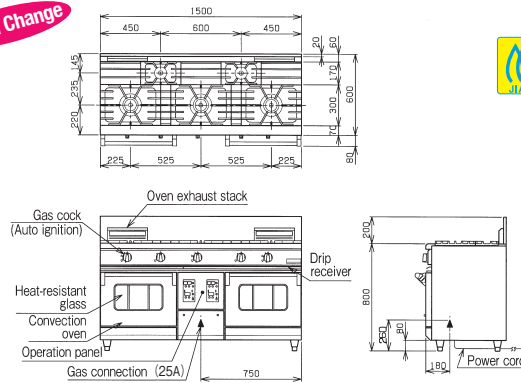
List Price : ¥675,000
(tax-excluded)

φ165 burner×3
φ95 burner×2

Oven
Convection Convection



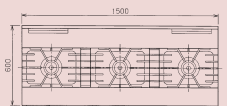
Model Change



RGR-1563WXC☆

List Price : ¥660,000
(tax-excluded)

φ165 burner×3



RGR-0973XC

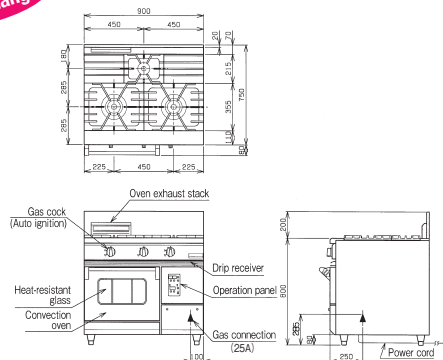
List Price : ¥424,000
(tax-excluded)

φ190 burner×2
φ95 burner×1

Oven
Convection



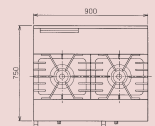
Model Change



RGR-0972XC☆

List Price : ¥414,000
(tax-excluded)

φ190 burner×2



Depth
600
mm

Depth
750
mm

RGR-1274XC

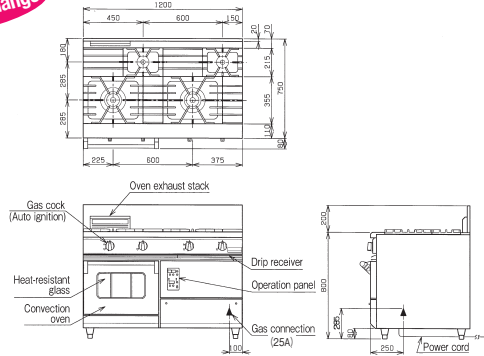
List Price : ¥482,000
(tax-excluded)

φ190 burner×2
φ95 burner×2

Oven
Convection



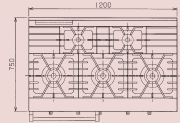
Model Change



RGR-1275XC

List Price : ¥514,000
(tax-excluded)

φ190 burner×3 φ95 burner×2



RGR-1575WXC

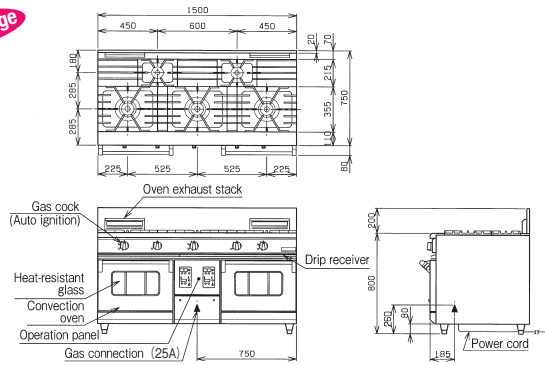
List Price : ¥721,000
(tax-excluded)

φ190 burner×3
φ95 burner×2

Oven
Convection Convection



Model Change



Depth
750
mm

RGR-187WXC

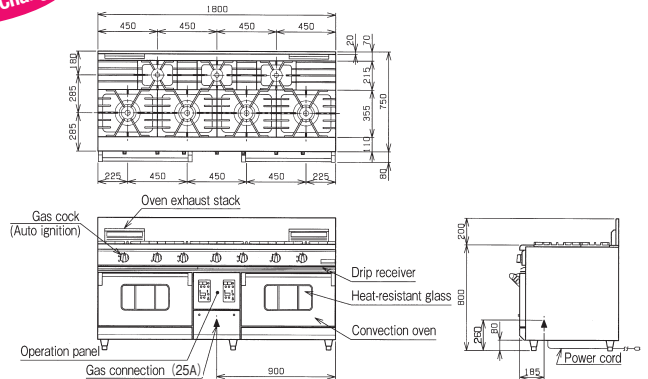
List Price : ¥860,000
(tax-excluded)

φ190 burner×4
φ95 burner×3

Oven
Convection Convection



Model Change



RGR-1812WXC☆

List Price : ¥1,218,000
(tax-excluded)

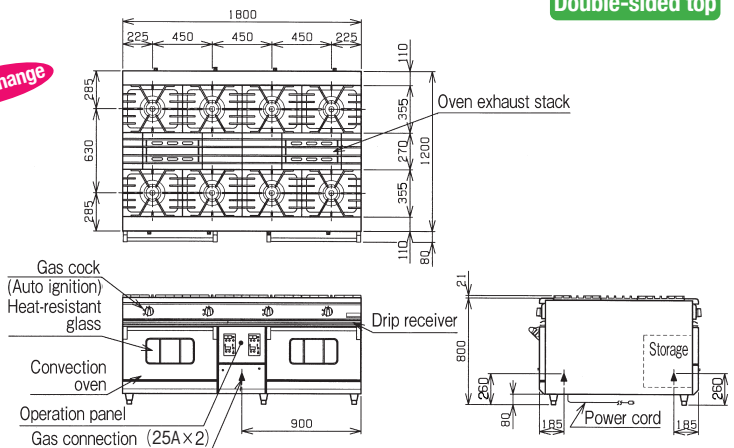
φ190 burner×8

Oven
Convection Convection

Double-sided top



Model Change



Depth
1200
mm

●NEW Power Cook Gas Range series also has "No back guard" type. Please specify when placing order. (The price is the same.)

■Delivery date for the models with ☆mark is about 2 weeks after receipt of order.

Specifications Table



RGR-0963C

NEW Power Cook Gas Range [Equipped with New Universal Burner / Normal type Oven] Specifications Table <RGR> See pages 3 and 4.

Model	External dimension (mm)				Inside of oven usable dimension (mm)			Usable side	No. of ^{※1} top burners			No. of ovens	Gas consumption		Gas connection (union)	Accessories			Weight (kg)
	Width	Depth	Height	Back height	Width	Depth	Height		φ95	φ165	φ190		Town gas	LP gas		Grill	Tray	Grill pan handle	
RGR-0962C	900	600	800	200	460	460	320	Single	—	2	—	1	34.3kW (29,500kcal/h)	32.0kW (2.29kg/h)	20A	2	2	1	171
RGR-0963C	900	600	800	200	460	460	320	Single	1	2	—	1	39.5kW (34,000kcal/h)	36.6kW (2.63kg/h)	20A	2	2	1	179
RGR-1262C	1,200	600	800	200	565	460	320	Single	—	2	—	1	36.0kW (31,000kcal/h)	33.7kW (2.42kg/h)	25A	2	2	1	197
RGR-1264C	1,200	600	800	200	565	460	320	Single	2	2	—	1	46.5kW (40,000kcal/h)	43.0kW (3.08kg/h)	25A	2	2	1	208
RGR-1265C	1,200	600	800	200	565	460	320	Single	2	3	—	1	59.9kW (51,500kcal/h)	55.2kW (3.96kg/h)	25A	2	2	1	212
RGR-1563C	1,500	600	800	200	460	460	320	Single	—	3	—	2	55.2kW (47,500kcal/h)	51.7kW (3.71kg/h)	25A	4	4	2	270
RGR-1565C	1,500	600	800	200	460	460	320	Single	2	3	—	2	65.7kW (56,500kcal/h)	61.0kW (4.38kg/h)	25A	4	4	2	282
RGR-0972C	900	750	800	200	460	600	320	Single	—	—	2	1	43.0kW (37,000kcal/h)	41.9kW (3.00kg/h)	25A	2	2	1	188
RGR-0973C	900	750	800	200	460	600	320	Single	1	—	2	1	48.3kW (41,500kcal/h)	46.5kW (3.33kg/h)	25A	2	2	1	200
RGR-1274C	1,200	750	800	200	565	600	320	Single	2	—	2	1	54.7kW (47,000kcal/h)	52.3kW (3.75kg/h)	25A	2	2	1	241
RGR-1275C	1,200	750	800	200	565	600	320	Single	2	—	3	1	71.5kW (61,500kcal/h)	68.6kW (4.92kg/h)	25A	2	2	1	246
RGR-1573C	1,500	750	800	200	460	600	320	Single	—	—	3	2	69.2kW (59,500kcal/h)	67.4kW (4.83kg/h)	25A	4	4	2	312
RGR-1575C	1,500	750	800	200	460	600	320	Single	2	—	3	2	79.7kW (68,500kcal/h)	76.7kW (5.50kg/h)	25A	4	4	2	327
RGR-187C	1,800	750	800	200	565	600	320	Single	3	—	4	2	104kW (89,500kcal/h)	100kW (7.17kg/h)	25A	4	4	2	391
RGR-1812C	1,800	1,200	800	—	565	1,050	320	Double	—	—	8	2	158kW (136,000kcal/h)	154kW (11.0kg/h)	25A×2	8	8	2	571

※1 Maximum pot diameter for φ95 burner is φ280mm and for φ165/190 burner is φ400mm.



RGR-1565XC



RGR-1264XC

NEW Power Cook Gas Range [Equipped with New Universal Burner / Convection Oven] Specifications Table <RGR-X> See pages 5~7.

Model	External dimension (mm)				Inside of oven usable dimension (mm)			Inside of convection usable dimension (mm)			Usable side	No. of ^{※1} top burners			No. of ovens	No. of convec-tions	Gas consumption		Gas connec-tion (union)	Rated voltage (50/60Hz)	Power consumption (50/60Hz)	Power cord	Accessories for oven (Accessories for Normal type Oven)			Weight (kg)
	Width	Depth	Height	Back height	Width	Depth	Height	Width	Depth	Height		φ95	φ165	φ190			Town gas	LP gas					Grill	Tray	Grill pan handle	
Normal type Oven + Convection Oven	RGR-1563XC	1,500	600	800	200	460	460	320	420	300	320	Single	—	3	—	1	1	55.2kW(47,500kcal/h)	51.7kW(3.71kg/h)	25A	1φ100V	74W/84W	2	2	1	277
	RGR-1565XC	1,500	600	800	200	460	460	320	420	300	320	Single	2	3	—	1	1	65.7kW(56,500kcal/h)	61.0kW(4.38kg/h)	25A	1φ100V	74W/84W	2	2	1	288
	RGR-1575XC	1,500	750	800	200	460	600	320	420	400	320	Single	2	—	3	1	1	77.9kW(67,000kcal/h)	75.0kW(5.38kg/h)	25A	1φ100V	74W/84W	2	2	1	323
	RGR-187XC	1,800	750	800	200	565	600	320	565	400	320	Single	3	—	4	1	1	101kW(87,000kcal/h)	97.1kW(6.96kg/h)	25A	1φ100V	74W/84W	2	2	1	363
Convection Oven only	RGR-0962XC	900	600	800	200	—	—	—	420	300	320	Single	—	2	—	—	1	34.3kW(29,500kcal/h)	32.0kW(2.29kg/h)	20A	1φ100V	74W/84W	2	2	1	177
	RGR-0963XC	900	600	800	200	—	—	—	420	300	320	Single	1	2	—	—	1	39.5kW(34,000kcal/h)	36.6kW(2.63kg/h)	20A	1φ100V	74W/84W	2	2	1	185
	RGR-1262XC	1,200	600	800	200	—	—	—	420	300	320	Single	—	2	—	—	1	34.3kW(29,500kcal/h)	32.0kW(2.29kg/h)	25A	1φ100V	74W/84W	2	2	1	206
	RGR-1264XC	1,200	600	800	200	—	—	—	420	300	320	Single	2	2	—	—	1	44.8kW(38,500kcal/h)	41.3kW(2.96kg/h)	25A	1φ100V	74W/84W	2	2	1	217
	RGR-1265XC	1,200	600	800	200	—	—	—	420	300	320	Single	2	3	—	—	1	58.1kW(50,000kcal/h)	53.5kW(3.83kg/h)	25A	1φ100V	74W/84W	2	2	1	221
	RGR-1563WXC	1,500	600	800	200	—	—	—	420	300	320	Single	—	3	—	—	2	55.2kW(47,500kcal/h)	51.7kW(3.71kg/h)	25A	1φ100V	148W/168W	4	4	2	282
	RGR-1565WXC	1,500	600	800	200	—	—	—	420	300	320	Single	2	3	—	—	2	65.7kW(56,500kcal/h)	61.0kW(4.38kg/h)	25A	1φ100V	148W/168W	4	4	2	294
	RGR-0972XC	900	750	800	200	—	—	—	420	400	320	Single	—	—	2	—	1	41.3kW(35,500kcal/h)	40.1kW(2.88kg/h)	25A	1φ100V	74W/84W	2	2	1	194
	RGR-0973XC	900	750	800	200	—	—	—	420	400	320	Single	1	—	2	—	1	46.5kW(40,000kcal/h)	44.8kW(3.21kg/h)	25A	1φ100V	74W/84W	2	2	1	206
	RGR-1274XC	1,200	750	800	200	—	—	—	420	400	320	Single	2	—	2	—	1	51.7kW(44,500kcal/h)	49.4kW(3.54kg/h)	25A	1φ100V	74W/84W	2	2	1	247
	RGR-1275XC	1,200	750	800	200	—	—	—	420	400	320	Single	2	—	3	—	1	68.6kW(59,000kcal/h)	65.7kW(4.71kg/h)	25A	1φ100V	74W/84W	2	2	1	252
	RGR-1575WXC	1,500	750	800	200	—	—	—	420	400	320	Single	2	—	3	—	2	76.2kW(65,500kcal/h)	73.3kW(5.25kg/h)	25A	1φ100V	148W/168W	4	4	2	335
	RGR-187WXC	1,800	750	800	200	—	—	—	565	400	320	Single	3	—	4	—	2	98.3kW(84,500kcal/h)	94.2kW(6.75kg/h)	25A	1φ100V	148W/168W	4	4	2	383
	RGR-1812WXC	1,800	1,200	800	—	—	—	—	565	400	320	Top double	—	—	8	—	2	150kW(129,000kcal/h)	145kW(10.4kg/h)	25A×2	1φ100V	148W/168W	4	4	2	563

※1 Maximum pot diameter for φ95 burner is φ280mm and for φ165/190 burner is φ400mm.

※RGR-1812WXC has a cabinet incorporated. (Inner dimension 615×360×390)

NEW Power Cook Gas Range / Gas Table (Equipped with "Maruzen «Oyako» burner")

Depth
600
mm

RGR-J0963XC ☆
List Price : ¥383,000
(tax-excluded)

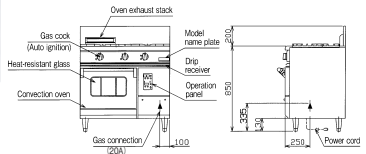
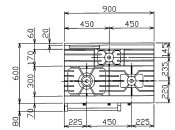
φ145 burner×1
φ90 burner×2

Oven
Convection

Model Change



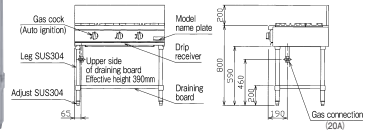
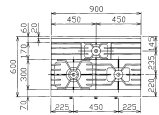
※Height 850mm



RGT-J0963C ☆
List Price : ¥152,000
(tax-excluded)

φ145 burner×1
φ90 burner×2

Model Change





RGR-J0963XC

NEW Power Cook Gas Range / Gas Table [Equipped with “Maruzen 《Oyako》 burner”] <RGR, RGT> See pages 11.

Model	External dimension (mm)				Inside of oven usable dimension(mm)			Usable side	No. of top burners※1		No. of convention ovens	Gas consumption		Gas connection (union)	Rated voltage (50/60Hz)	Power consumption (50/60Hz)	Power cord	Accessories			Weight (kg)
	Width	Depth	Height	Back height	Width	Depth	Height		φ90	φ145		Town gas	LP gas					Grill	Tray	Grill pan handle	
RGR-J0963XC	900	600	850	200	420	300	320	Single	2	1	1	27.3kW(23,500kcal/h)	27.3kW(1.96kg/h)	20A	1φ100V	74W/84W	4m with plug (ground wire) (Ⓜ)	2	2	1	184
RGT-J0963C	900	600	800	200	—	—	—	Single	2	1	—	19.8kW(17,000kcal/h)	19.8kW(1.42kg/h)	20A	—	—	—	—	—	—	85

※1 Maximum pot diameter for φ90 burner is φ280mm and for φ145 burner is φ360mm.