

Automatic noodle boiler/Square-tank noodle boiler <Cool kitchen Series>

Popular Ramen can be easily-and-deliciously cooked by latest noodle boiler which is praised even in the specialized shop.

4 and 6 hand basket type model is Cool kitchen specification.

- A double heat insulating structure can be achieved by covering the inside of main body with a heat insulator and further by providing a heat insulating layer in the surrounding area. The double heat insulating structure let the optimized air flow inside the equipment to take heat from the main body which suppresses the radiation heat from the equipment and decrease the surface temperature.
- The front surface of main body is provided with an intake port and exhaust port for making air flow which can suppress the temperature rise of the front surface and enhance the safety.
- An exhaust stack is a chimney structure which prevents exhaust gas from spreading. The exhaust gas can quickly be led to a hood while improving environment in the kitchen.

Airflow on the heat insulating layer of a back guard takes heat from the back surface of main body.
Exhaust gas can be prevented from spreading.



Air flows in the direction of arrow for taking heat out from main body.



Large-sized boiling tank for making noodle delicious with chewy texture.

Comfortably and strong chewy texture of noodle can be performed by boiling noodle with rich hot water at the high speed. Maruzen automatic noodle boiler adopts a large boiling tank. Whenever and everyone can boil delicious noodles which professionals praise.

Maruzen original hole heat pipe.

Maruzen special circulation heating method is adopted, realizing the heat efficiency of 60% and it is economical with no waste of energy while performing the excellent boiling ability.

Hot water supply device has energy-saving design by utilizing exhaust heat.

Scum and slime can be removed by overflow without lowering the temperature inside the boiling tank, so continuous cooking can be performed.

Steam shutters to enhance heat efficiency and safety.

Automatically closed when the boiling basket is not in use to prevent boiling water from splashing. Since heat is not given out, heat efficiency is enhanced and boiling time becomes shorter with energy-saving.



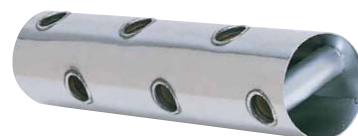
● Chewy and delicious noodle can be cooked because boiling water is spouted in the boiling basket intensively. (Picture is MRY-CL06)



● Steam shutters for enhancing heat efficiency through which boiling basket can be pushed.

Maruzen Original Hole Heat Pipe!

Energy is absorbed efficiently without waste by special circulation heating method.



Products with this mark, has passed the type inspection of the Japan Gas Appliances Inspection Association. (LP gas, 13A)

JFEA

Equipment with this mark is adequate and registered to Japan Food Service Equipment Association Standard.



Commercial Kitchen Appliance & Equipment Adequate Standard

Cool Kitchen series Automatic Noodle Boiler

Lift-down automatically when you push the Lift Cap of basket!
"Cool Kitchen series Automatic Noodle Boiler" which lifts up after boiled.

Lift-down automatically when you push the Lift Cap. Buzzer & Lift-up automatically when the set time comes. You do not need to check the status of boiled noodle. Everybody can boil delicious noodles. It is useful at peak times as well as laborsaving. Timer is touch-panel method which is easy to be used. The time can be set in 1 second increments. When you push the Lift Cap during cooking, the boiling stops and lift goes up automatically. Baskets can be lifted up and down by Touch-panel too.



Lift down when you push the Lift Cap.



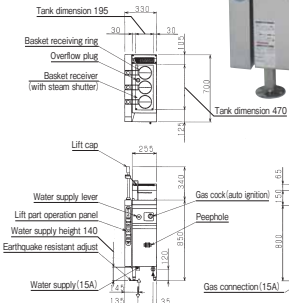
Touch-Panel

MRY-L03L

List Price : ¥598,000 (tax-excluded)

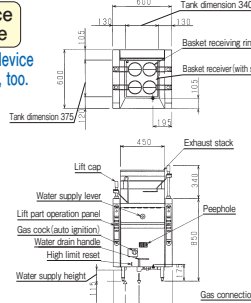


Lift device :Left side
 We have Lift device with right side, too.



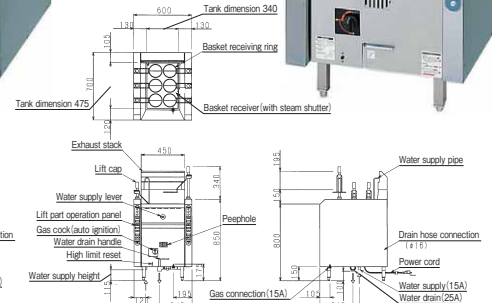
(Cool kitchen Series) MRY-CL04

List Price : ¥848,000 (tax-excluded)



(Cool kitchen Series) MRY-CL06

List Price : ¥948,000 (tax-excluded)



Automatic noodle boiler Specification table

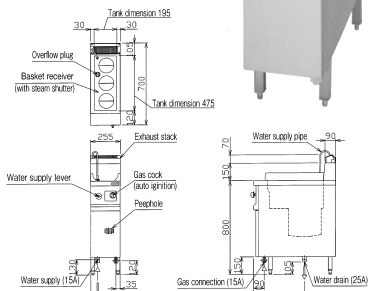
Model	External dimension (mm)				Tank quantity	Basket quantity	Tank water amount (ℓ)	Gas consumption		Gas connection		Power consumption 1φ100V (50/60Hz)	Power cord	Water supply	Water drain	Safety device	Weight (kg)
	Width	Depth	Height	Back				Town gas	LP gas	Town gas	LP gas						
MRY-L03 (L-R)	330	700	800	150	1	3	25	9.3kW (8,000kcal/h)	9.3kW (0.67kg/h)	15A	15A	23W	2m with plug (ground adapter)	15A	25A	Device for preventing heating without water (High limit)	62
MRY-CL04	600	600	800	150	1	4	36	13.4kW (11,500kcal/h)	11.6kW (0.83kg/h)	15A	15A	17W×2		15A	25A		80
MRY-CL06	600	700	800	150	1	6	48	18.0kW (15,500kcal/h)	16.9kW (1.21kg/h)	15A	15A	23W×2		15A	25A		105

●Flame Rod is equipped. Auto ignition cock is adopted. ●L (R) of the model number means lift is equipped at the left-side of body. R means that lift is equipped at the right-side of body.
 ●Accessory / Drain hose for condensation in the exhaust stack. (MRY-CL04, 06)

Square-tank noodle boiler Easy to use square tank type !

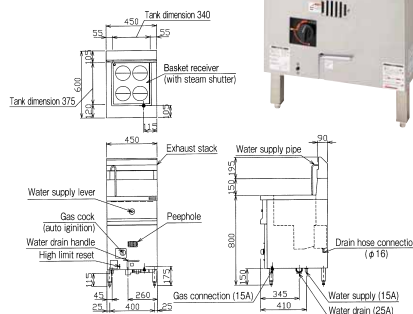
MRY-03

List Price : ¥287,000 (tax-excluded)



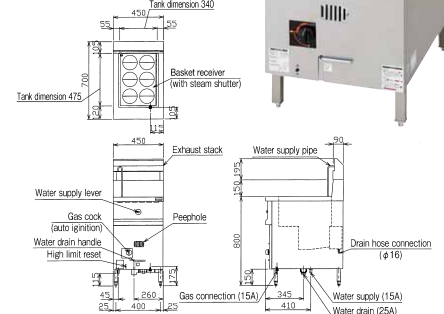
(Cool kitchen Series) MRY-C04

List Price : ¥378,000 (tax-excluded)



(Cool kitchen Series) MRY-C06

List Price : ¥419,000 (tax-excluded)



Square-tank noodle boiler Specification table

Model	External dimension (mm)				Tank quantity	Basket quantity	Tank water amount (ℓ)	Gas consumption		Gas connection		Power consumption 1φ100V (50/60Hz)	Water supply	Water drain	Safety device	Weight (kg)
	Width	Depth	Height	Back				Town gas	LP gas	Town gas	LP gas					
MRY-03	255	700	800	150	1	3	25	9.3kW (8,000kcal/h)	9.3kW (0.67kg/h)	15A	15A	—	15A	25A	Device for preventing heating without water (High limit)	42
MRY-C04	450	600	800	150	1	4	36	13.4kW (11,500kcal/h)	11.6kW (0.83kg/h)	15A	15A	—	15A	25A		49
MRY-C06	450	700	800	150	1	6	48	18.0kW (15,500kcal/h)	16.9kW (1.21kg/h)	15A	15A	—	15A	25A		68

●Flame Rod is equipped. Auto ignition cock is adopted. ●Accessory / Drain Hose for condensation in the exhaust stack (MRY-C04, 06)