

Super Jumbo Burner

Long-seller for its **surprisingly powerful heating and fuel-saving design!!!**

Perfect for Chinese dishes and other menus that require a high flame.

4,500
20,000
kcal/h
(5.23 ~ 23.3kW)

2 types for your choice according to use

Type 1 < Standard >

<Standard> Type has 3 models ranging from 5.23 to 15.7kW (4,500 to 13,500kcal/h).

Type 2 < Jumbo >

<Jumbo> Type has 2 models; 17.4kW (15,000kcal/h) and 23.3kW (20,000kcal/h). High output burner perfect for speedy cooking such as for Chinese dishes, boiling noodles.



If the surroundings of the place where the product is installed are not incombustible structure, a soup stand or a heat insulating board must be installed. ※ Please see the back cover for more detail.

Table Top Type Super Jumbo Burner <Standard>

Gas stoves with PS mark are the products that comply with the technical standards provided by the Japanese government.



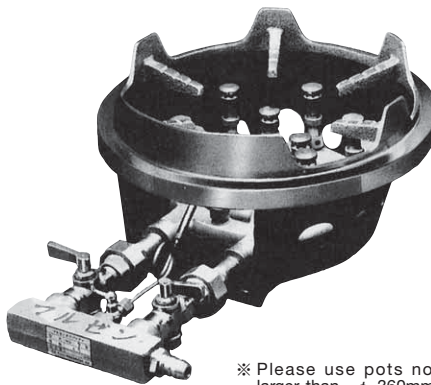
Products with this mark have passed the type inspection of the Japan Gas Appliances Inspection Association. (LP gas, 13A)

※ Please use pots not larger than ϕ 280mm.

MG-4B

Gas consumption 5.23kW(4,500kcal/h)

List Price : **¥23,000**
(tax-excluded)



※ Please use pots not larger than ϕ 360mm. Thread connection may be required depending on gas type.

MG-9

Gas consumption 11.6kW(10,000kcal/h)

List Price : **¥35,000**
(tax-excluded)



※ Please use pots not larger than ϕ 400mm. Thread connection may be required depending on gas type.

MG-12

Gas consumption 15.7kW(13,500kcal/h)

List Price : **¥44,000**
(tax-excluded)

Table Top Type Super Jumbo Burner <Jumbo>



※ Please use pots not larger than ϕ 420mm. Rubber tube connection may be required depending on gas type.

MG-9J

Gas consumption 17.4kW(15,000kcal/h)

List Price : **¥51,000**
(tax-excluded)



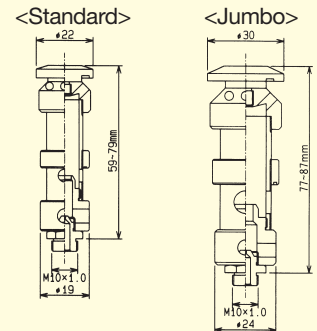
※ Please use pots not larger than ϕ 440mm.

MG-12J

Gas consumption 23.3kW(20,000kcal/h)

List Price : **¥60,000**
(tax-excluded)

Comparison of Mixer Tubes



● Please specify at the time of order if you wish to use a flat grid. We are happy to replace it.

We have grids, for MG-9, 12, 9J and 12J. The number of nails of the grid depends on the model of the burner. (The picture shows the grid for MG-9J.)



Super Jumbo Burner

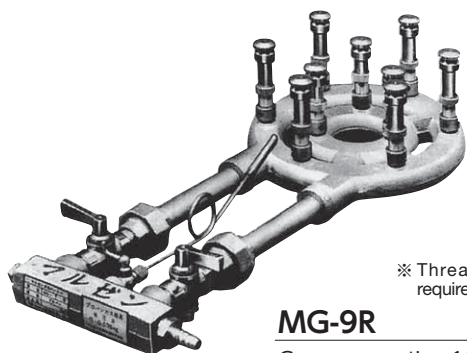
Popular for its versatility!!

Chinese range, soba stove, or steamer...
it can be used in various stoves.

6,700
25,000
kcal/h
(7.79 ~ 29.1kW)

When using a super jumbo burner built in some product, the surroundings of such product must be incombustible structure.

Super Jumbo Burner for Ranges <Standard>

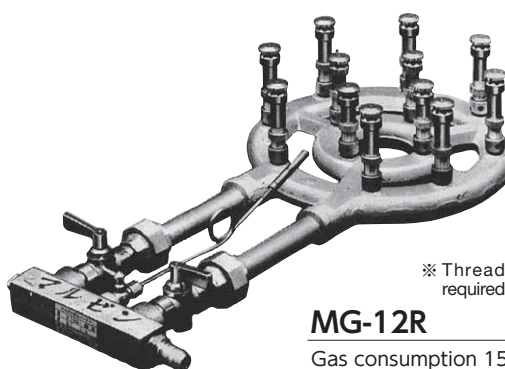


※ Thread connection may be required depending on gas type.

MG-9R

Gas consumption 11.6kW(10,000kcal/h)

List Price : **¥26,000**
(tax-excluded)



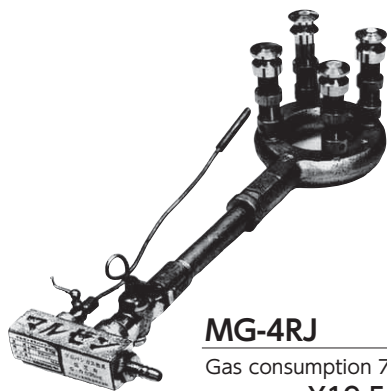
※ Thread connection may be required depending on gas type.

MG-12R

Gas consumption 15.7kW(13,500kcal/h)

List Price : **¥34,000**
(tax-excluded)

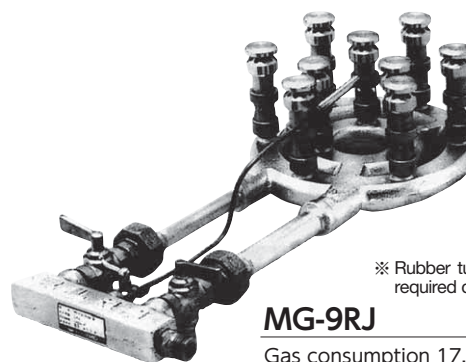
Super Jumbo Burner for Ranges <Jumbo>



MG-4RJ

Gas consumption 7.79kW(6,700kcal/h)

List Price : **¥19,500**
(tax-excluded)

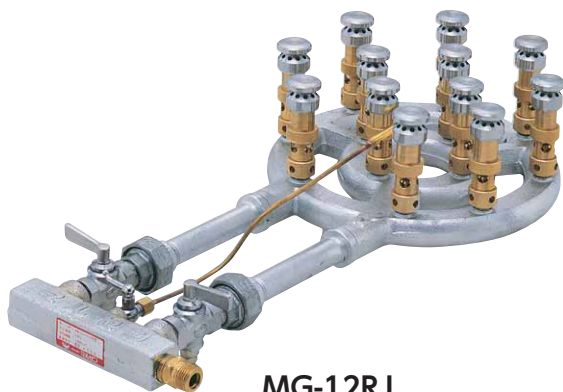


※ Rubber tube connection may be required depending on gas type.

MG-9RJ

Gas consumption 17.4kW(15,000kcal/h)

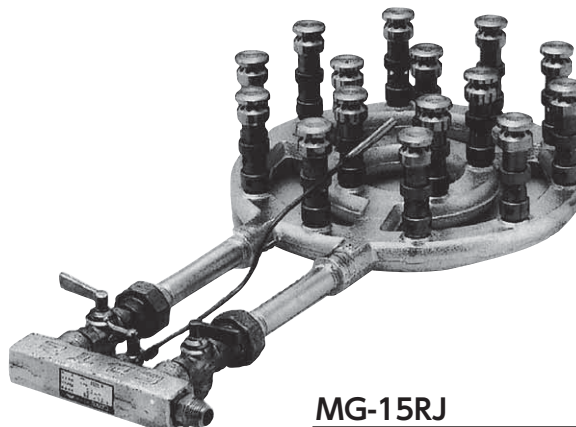
List Price : **¥40,000**
(tax-excluded)



MG-12RJ

Gas consumption 23.3kW(20,000kcal/h)

List Price : **¥47,000**
(tax-excluded)



MG-15RJ

Gas consumption 29.1kW(25,000kcal/h)

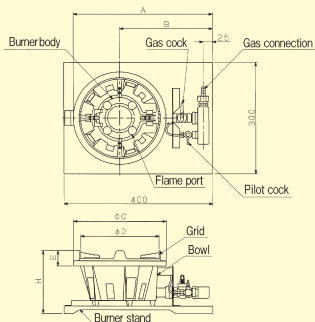
List Price : **¥59,000**
(tax-excluded)

Super Jumbo Burner Specifications Table

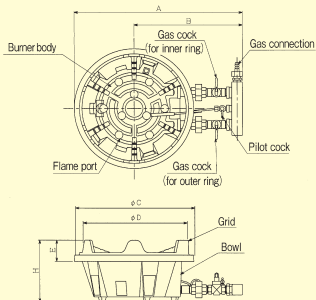
Model		External dimensions (mm)								Gas consumption		Gas connection		Weight (kg)
		A	B	C	D	E	H	X	Y	Town gas	LP gas	13A, 12A	LP gas	
Tabletop standard	MG-4B	375	250	249	210	42	170	300	400	5.23kW (4,500kcal/h)	5.23kW (0.38kg/h)	※ 13mm (Rubber tube connection)	9.5mm (Rubber tube connection)	5.5
	MG-9 (H)	473	305	335	292	60	174	—	—	11.6kW (10,000kcal/h)	11.6kW (0.83kg/h)	13mm (Rubber tube connection)	9.5mm (Rubber tube connection)	11.6
	MG-12 (H)	533	335	395	350	78	193	—	—	15.7kW (13,500kcal/h)	15.7kW (1.13kg/h)	13mm (Rubber tube connection)	15A	16.5
Tabletop Jumbo	MG-9J (H)	487	305	364	320	70	211	—	—	17.4kW (15,000kcal/h)	17.4kW (1.25kg/h)	13mm (Rubber tube connection)	15A	15.0
	MG-12J(H)	547	335	424	379	78	219	—	—	23.3kW (20,000kcal/h)	23.3kW (1.67kg/h)	15A	15A	20.5
Standard for range	MG-9R	481	380	201	—	—	113	—	—	11.6kW (10,000kcal/h)	11.6kW (0.83kg/h)	13mm (Rubber tube connection)	9.5mm (Rubber tube connection)	5.1
	MG-12R	537	410	253	—	—	113	—	—	15.7kW (13,500kcal/h)	15.7kW (1.13kg/h)	13mm (Rubber tube connection)	15A	6.5
Jumbo for range	★ MG-4RJ	448	385	125	—	—	114	—	—	7.79kW (6,700kcal/h)	7.79kW (0.56kg/h)	13mm (Rubber tube connection)	9.5mm (Rubber tube connection)	2.7
	MG-9RJ	481	380	201	—	—	121	—	—	17.4kW (15,000kcal/h)	17.4kW (1.25kg/h)	13mm (Rubber tube connection)	15A	6.1
	MG-12RJ	537	410	253	—	—	121	—	—	23.3kW (20,000kcal/h)	23.3kW (1.67kg/h)	15A	15A	7.3
	MG-15RJ	587	435	303	—	—	121	—	—	29.1kW (25,000kcal/h)	29.1kW (2.08kg/h)	15A	15A	9.1

■ Delivery date for the models with ★ is about 1 week after receipt of order. ●※ Only for 13A ● (H) is a spec with a flat grid. (The price is the same.)

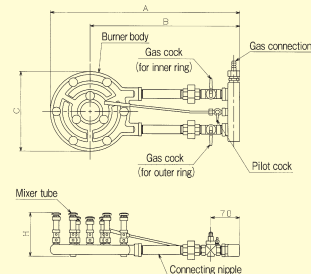
■ Drawing for Table Top (MG-4B)



■ Drawing for Table Top

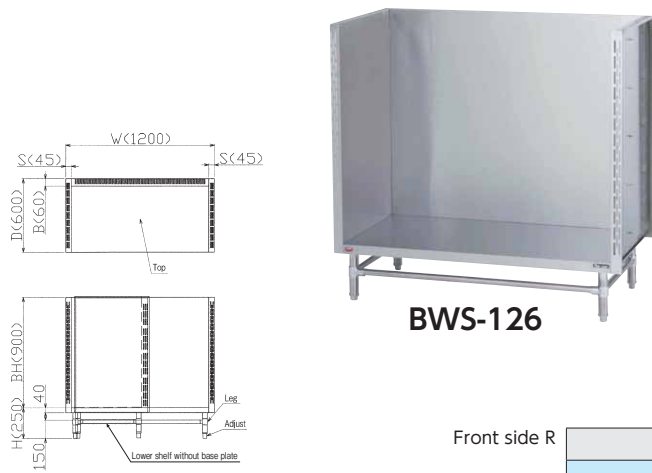


■ Drawing for Ranges and Stove



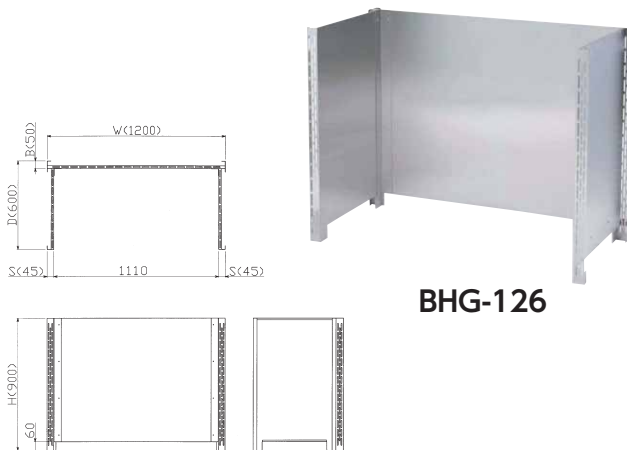
If the surroundings of the product are not incombustible structure, please install a soup stand or a Heat Insulating Board for your safety.

Soup Stand (Three-side back guard)



BWS-126

Heat Insulating Board (Three-side guard)



BHG-126

■ Soup Stand Specifications Table

Model	External dimensions (mm)						SUS430
	W	D	H	BH	B	S	List Price (tax-excluded)
BWS-066	600	600	250	900	60	45	¥63,000
BWS-126	1,200	600	250	900	60	45	¥89,000
BWS-186	1,800	600	250	900	60	45	¥116,000
BWS-077	750	750	250	1,000	60	45	¥84,000
BWS-157	1,500	750	250	1,000	60	45	¥121,000
BWS-227	2,250	750	250	1,000	60	45	¥157,000

※ Delivery date is about 1 weeks after receipt of order.

■ Heat Insulating Board Specifications Table

Model	External dimensions (mm)					SUS430
	W	D	H	B	S	List Price (tax-excluded)
BHG-066	600	600	900	50	45	¥40,000
BHG-126	1,200	600	900	50	45	¥53,000
BHG-186	1,800	600	900	50	45	¥66,000
BHG-077	750	750	1,000	50	45	¥55,000
BHG-157	1,500	750	1,000	50	45	¥74,000
BHG-227	2,250	750	1,000	50	45	¥92,000

※ Delivery date is about 1 weeks after receipt of order.

※ Please contact us for more details.